



FÉDÉRATION INTERNATIONALE
DE MOTOCYCLISME

**TECHNICAL RULES
MOTOCROSS**
(INCLUDING RULES FOR QUADS, SUPERMOTO & SNOWCROSS)

2020

*RÈGLEMENTS TECHNIQUES
MOTOCROSS*
(RÈGLEMENTS POUR QUADS, SUPERMOTO & MOTONEIGE INCLUS)

Technical Rules Motocross
(Including Rules for Supermoto, Sidecars,
Quads and Snowcross)

2020

Règlements Techniques Motocross
(*Règlements pour Supermoto, Sidecars, Quads et*
Motoneige inclus)

Version 1
Applicable as from 20.02.20.2020

YEAR 2020		
Version	Applicable as from	Modified paragraphs
0	01.01.2020	01.28;01.51;53.01;63.01;65.01;79.08
1	20.01.2020	
2		
3		

Table of contents

01.01	INTRODUCTION.....	4
01.03	FREEDOM OF CONSTRUCTION	4
01.05	CATEGORIES AND GROUPS OF MOTORCYCLES	4
01.07	CLASSES.....	5
01.11	MEASUREMENT OF CAPACITY	6
01.17	SUPERCHARGING	7
01.18	TELEMETRY.....	7
01.19	MOTORCYCLE WEIGHTS	8
01.21	DESIGNATION OF MAKE	9
01.23	DEFINITION OF A PROTOTYPE	9
01.25	GENERAL SPECIFICATIONS	9
01.26	DEFINITION OF A FRAME OF A SOLO MOTORCYCLE.....	10
01.27	STARTING DEVICES	10
01.28	FUEL TANKS.....	10
01.29	OPEN TRANSMISSION GUARDS	11
01.31	EXHAUST PIPES AND SILENCERS	11
01.33	HANDLEBARS.....	12
01.35	CONTROL LEVERS	13
01.37	THROTTLE CONTROLS	13
01.39	FOOTRESTS	14
01.41	BRAKES.....	14
01.43	MUDGUARDS AND WHEEL PROTECTION	15
01.45	STREAMLINING	15
01.46	SUSPENSION.....	15
01.47	WHEELS, RIMS, TYRES	16
01.49	TYRES	16
01.50	ADDITIONAL SPECIFICATIONS FOR ELECTRIC POWERED VEHICLES (EPVs, Group J)	16
01.51	ADDITIONAL SPECIFICATIONS FOR SUPERMOTO	22
01.53	ADDITIONAL SPECIFICATIONS FOR SIDECARS	23
01.55	NUMBER PLATES.....	25
01.63	GASOLINE AND LUBRICANT	26
01.65	EQUIPMENT AND PROTECTIVE CLOTHING DURING PRACTICE AND RACE	34
01.67	WEARING OF HELMETS	35
01.69	HELMET OPERATIVE INSTRUCTIONS	36
01.73	NATIONAL COLOURS FOR HELMETS	37
01.75	BADGE OF THE FIM	39
01.76	NUMBER SASHES (BIBS).....	39
01.77	TECHNICAL VERIFICATIONS	40
01.78	DANGEROUS MACHINES	46
01.79	SOUND CONTROL.....	46
01.82	SPECIFICATIONS FOR SNOWMOBILES.....	54
01.83	SPECIFICATIONS FOR QUAD RACERS.....	57

DIAGRAMS

Any references to the male gender in this document are made solely for the purpose of simplicity, and refer also to the female gender except when the context requires otherwise.

01.01 INTRODUCTION

The term motorcycle covers all vehicles having, in principle, less than four wheels, propelled by an engine and designed essentially for the carriage of one or more persons of which one is the rider of the vehicle. The wheels must normally be in contact with the ground except momentarily or in certain exceptional circumstances. Furthermore, in order to traverse certain surfaces one or all of the wheels can be replaced with skis, rollers or chains.

01.03 FREEDOM OF CONSTRUCTION

A motorcycle must conform to the requirements of the FIM regulations, to the Supplementary Regulations, as well as to a number of specific conditions that the FIM may require for certain competitions. No restriction is placed on the make, construction or type of motorcycle used.

All solo motorcycles (Group A1) must be constructed in such a way that they are entirely controlled by a rider. Motorcycles with Sidecars (Group B) must be constructed to carry a passenger.

01.05 CATEGORIES AND GROUPS OF MOTORCYCLES

Motorcycles are divided into categories which must be observed for all meetings and world record attempts.

In principle, it is forbidden for different categories, groups and classes to compete in the same race, unless the Supplementary Regulations state otherwise.

Category I

Motorcycles propelled by the action of one wheel in contact with the ground.

Category II

Special vehicles propelled by the action of two wheels in contact with the ground but which are not covered by the conditions of Category I.

Group A1 - Solo Motorcycles

Two-wheel vehicles making only one track on the ground.

Group B1

Vehicles with three wheels, making two tracks on the ground, consisting of a motorcycle making one track and a sidecar for a passenger making the other track.

Group B2

Vehicles with three wheels, making two or three tracks on the ground in the direction of forward travel, with a permanently attached Sidecar forming a complete integral unit. If three tracks are made, the centre-lines of the two tracks made by the motorcycle wheels must not be more than 75 mm apart. A track is determined by the longitudinal centre-line of each of the vehicle's wheels in the direction of forward travel.

Category III

Vehicles propelled by the action of multiple driving wheels in contact with the ground in only one direction.

Group C - Special 2 wheel driven motorcycles

Group D - Special 3 wheel, 2 wheel driven motorcycles

Group E - Snowmobiles

Group F - Sprinters and Dragsters

Group G - Quad racers

Group J – Electric Powered Vehicles (EPVs, see Art. 01.50)

01.07 CLASSES

Groups are again separated into classes according to cylinder capacities as detailed below. Generally, these classes must be observed for all meetings. (However, see Art. 032.3.2 of the Motocross Rules).

Category I

Group A1 - Solo Motorcycles

Class	over (cc)	up to (cc)
50	-	50
65	50	65
85 (2-stroke) (4-stroke)	65	85
	85	150
100	85	100
MX2 (2-stroke) (4-stroke)	100	125
	175	250
175	125	175

MXGP	(2-stroke)	175	250
	(4-stroke)	290	450
350		250	350
750		500	750
1000		750	1000
1300		1000	1300

Note: For 125 cc, only single cylinder engines are allowed.

Groups B1, B2 - Sidecars

Over 350 cc and up to a maximum of 750 cc for 2-stroke engines or a maximum of 1000 cc for 4-stroke mono and bi-cylinder engines.

Category II

Group E Snowmobiles

Class	over (cc)	up to (cc)
250	-	250
350	250	350
500	350	500
750	500	750
1050	750	1050
1300	1050	1300

Group G Quad racers

Four-wheeled, two-wheel driven, balloon-tired off-road vehicles having a wheel at each diagonal extremity and consisting of a complete integral unit, having accommodation for a rider only sitting astride, and steered by a handlebar.

Same classes as Category I, Group A1.

01.11 MEASUREMENT OF CAPACITY

11.11 Reciprocating movement engine, "Otto" Cycle

The capacity of each engine cylinder is calculated by the geometric formula which gives the volume of a cylinder; the diameter is represented by the bore, and the height by the space swept by the piston from its highest to lowest point:

$$\text{Capacity} = \frac{D^2 \times 3.1416 \times C}{4}$$

where D = bore
and C = stroke

When a cylinder bore is not circular, the cross sectional area must be determined by a suitable geometrical method or calculation, then multiplied by the stroke to determine capacity.

When measuring, a tolerance of 1/10 mm is permitted in the bore. If with this tolerance the capacity limit is exceeded for the class in question, a further measurement should be taken with the engine cold, to 1/100 mm limits.

11.13 Rotary engines

The capacity of an engine which determines the class in which the motorcycle shall compete in a meeting shall be calculated by:

$$\text{Capacity} = \frac{2 \times V}{N}$$

where V = total capacity of all the chambers comprising the engine
and N = number of turns of the motor necessary to complete one cycle in a chamber

Classified as a 4-stroke.

11.15 Wankel system

For Wankel system engines with a triangular piston, the capacity is given by the formula:

$$\text{Capacity} = 2 \times V \times D$$

where V = capacity of a single chamber
and D = number of rotors

This engine is classified as a 4-stroke.

01.17 SUPERCHARGING

Supercharging by means of a device of any kind is forbidden in all meetings.

An engine, whether 2-stroke or 4-stroke, coming within any one of the recognised classes (determined by the capacity of the working cylinder) shall not be considered as supercharged when, in respect of one engine cycle, the total capacity measured geometrically, of the fuel charging device or devices, including the capacity of the working cylinder (if used for injecting the fuel), does not exceed the maximum capacity of the class in question.

01.18 TELEMETRY

Information must not be transmitted in any way to or from a moving motorcycle.

An official signalling device may be required on the machine.
 Automatic lap timing devices are not considered as “telemetry”.
 Automatic lap timing devices must not disrupt any official time keeping methods and equipment.

01.19 MOTORCYCLE WEIGHTS

19.01

The minimum weights of the motorcycles (without rider and/or passenger, with all operational fluids) are:

for the 65 cc class	Up to 65cc – 2T	53 kg
for the 85 cc SW class (small wheels)	65cc up to 85cc - 2T	63 kg
	100cc up to 150cc - 4T	71 kg
for the 85 cc LW class (large wheels)	65cc up to 85cc - 2T	65 kg
	100cc up to 150cc - 4T	73 kg
for MXGP motorcycles	175cc up to 250cc - 2T	98 kg
	290cc up to 450cc - 4T	99 kg
for MX2 motorcycles	100cc up to 125cc - 2T	88 kg
	175cc up to 250cc - 4T	95 kg

The fuel tank shall contain a maximum of 0.5 litres of fuel, when the machine is checked before the race.

These are absolute limits and no tolerance is applied when the machine is checked before the practice/qualifying race/race.

The minimum weight of the verified motorcycle must not at any time be less than the minimum weight required.

A 1% tolerance in the weight of the machine is accepted when checked during or after the race, in order to take into account the variability of the test conditions.

A scale with a minimum resolution of 100g must be used.

19.02

The use of ballast to stay over the minimum weight is forbidden. The term "ballast" refers to as any component, device or part, the primary function of which is to add weight to the machine. All components, devices and parts must be firmly fixed to the motorcycle.

19.03

A sticker or other piece of material (preference goes to plastics) must be fixed to the front of the main frame (and with preference on the same side of the frame on all the motorcycles).

19.05

For Groups B1 and B2 at all competitions a passenger must be carried.

01.21 DESIGNATION OF MAKE

When two manufacturers are involved in the construction of a motorcycle, the name of both must appear on the machine as follows:

- The name of the chassis manufacturer
- The name of the engine manufacturer

01.23 DEFINITION OF A PROTOTYPE

A prototype motorcycle is a vehicle which must conform to the safety requirements as required by the FIM Sporting Code and Appendices applicable to the type of competition for which it is to be used.

01.25 GENERAL SPECIFICATIONS

The following specifications apply to all vehicles of the groups indicated and to all types of competitions except where otherwise stated in the corresponding section of the FIM Sporting Code.

They should also be applied to all national competitions unless the FMNR (National Motorcycling Federation) has otherwise directed.

Further specifications for some competitions may also be required and these will be detailed in either the appropriate FIM Appendix or in the Supplementary Regulations for the competition in question.

Concerning material verification, in case of doubt, a sample or the part in question shall be taken and analysed at a Material Testing laboratory.

25.01 Use of titanium and light alloys

The use of titanium in the construction of the frame, the front forks, the handlebars, the swinging arms, the wheel- and swinging arm-spindles is forbidden.

The use of light alloys for wheel spindles is also forbidden.

The use of titanium alloy nuts and bolts is allowed.

25.03 Carbon fibre

The use of carbon fibre reinforced materials is authorised (with the exception of handlebars and wheel rims).

25.04 Ceramic materials

The use of ceramic parts is forbidden.

25.05 Other equipment

The use of data recording devices and automatic electronic ignition is authorised.

No signal of any kind may pass between a moving motorcycle and any person, including radio and Bluetooth communication. The exception is for the signal from the time keeping transponder, automatic lap timing devices or from the approved on-board cameras (with prior written approval from the Championship Promoter/Organiser).

25.06 Number of cylinders

The number of cylinders in an engine is determined by the number of combustion chambers.

25.07

If separate combustion spaces are used they must be connected by an unrestricted passage of minimum cross sectional area at least 50 % of the total inlet port area.

01.26 DEFINITION OF A FRAME OF A SOLO MOTORCYCLE

The structure or structures used to join any steering mechanism at the front of the machine to the engine/gear box unit and to all components of the rear suspension.

01.27 STARTING DEVICES

Starting devices for the engine are compulsory.

01.28 FUEL TANKS

The fuel tank and fuel cap must be leak proof at all times.

Fuel tanks shall only be filled in the paddock or pit lane.

Additional fuel tanks are allowed provided that:

- they are made by an approved company
- they must be firmly fixed
- hose connections must be leak-proof
- they must be protected against projections
- they are not placed **in front or** above the handlebar

Additional fuel tanks must be presented - already mounted - for inspection at the Technical Verifications.

For Sidecars: Starting from 2020, only one **(1) additional** fuel tank will be allowed **and must be installed within the main frame.**

01.29 OPEN TRANSMISSION GUARDS

A guard must be fitted to the countershaft sprocket.

29.01

If the primary transmission is exposed, it must be fitted with a guard as a safety measure. The guard must be designed so that rider or the passenger cannot under any circumstances come into accidental contact with the transmission parts. It must be designed to protect the rider from injuring his fingers.

29.04

A chain guard must be fitted in such a way to prevent trapping between the lower chain run and the final driven sprocket at the rear wheel.

01.31 EXHAUST PIPES AND SILENCERS

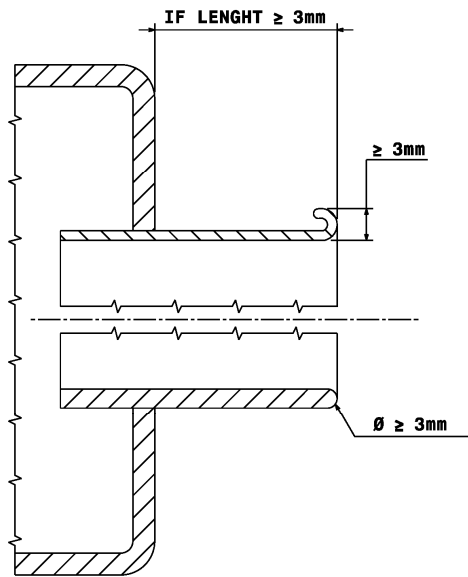
Exhaust pipes and silencers must fulfil all the requirements concerning sound control (see also Art. 01.79).

31.01

The axis of the silencer end must be parallel (tolerance 15°) to the two principal longitudinal planes of the vehicle. The extremity of the silencer must not pass the vertical tangent of the rear tyre.

31.02

The edge of the silencer shall not be dangerous in case of accidental contact with the riders or helpers. If the final tube protrudes more than 3 mm, the edge must be rolled to an angle of 180° or radiused (see pictures below). In both cases, the edge thickness shall be 3 mm minimum.



31.03

Exhaust fumes must be discharged towards the rear but not in such a manner as to raise dust, foul the tyres or brakes, or inconvenience the passenger (in the case of sidecars), or any other rider.

31.04

On a Sidecar machine the exhaust must discharge horizontally and towards the rear, at a maximum angle of 30° to the axis of the machine.

01.33 HANDLEBARS

33.01

The width of handlebars must be not less than 600 mm and not more than 850 mm (see Diagrams).

33.02

The handlebars must be equipped with a protection pad on the cross bar. Handlebars without a cross member must be equipped with a protection pad located in the middle of the handlebars, covering widely the handlebars clamps.

33.03

Handlebar clamps must be very carefully radiused and engineered so as to avoid any fracture points in the handlebar.

33.04

Exposed handlebar ends must be plugged with a solid material or rubber covered.

33.06

When hand protectors are used, these must be made of a shatter-resistant material and have a permanent opening for the hand.

33.07

Handlebars made of composite materials are not authorised.

33.08

Repair by welding of light alloy handlebars is prohibited.

33.09

Solid stops (when on full-lock, other than steering dampers) must be fitted. These must ensure a minimum clearance of 30 mm between the handlebar with levers and the tank to prevent trapping the rider's fingers.

01.35 CONTROL LEVERS

35.01

All handlebar levers (clutch, brake, etc.) must be in principle ball ended (diameter of this ball to be at least 16 mm, see Diagrams). This ball can also be flattened, but in any case the edges must be rounded (minimum thickness of this flattened part 14 mm). These ends must be permanently fixed and form an integral part of the lever. If the gear lever consists of a tube, then its edge must be rounded.

35.03

Each control lever (hand and foot levers) must be mounted on an independent pivot.

35.04

The brake lever if pivoted on the footrest axis must work under all circumstances, such as the footrest being bent or deformed.

35.05

Hand- and foot-controls may be modified for mobility challenged riders.

01.37 THROTTLE CONTROLS

37.01

Throttle controls must be self-closing when not held by the hand. The throttle operation (opening and closing) shall only be activated by mechanical cable from the twist grip directly attached to the throttle valve. Electronically controlled throttle valves are forbidden. All air intakes into the cylinder must pass through the throttle body. No other means allowing ambient air into the inlet track of the cylinder head are allowed.

37.02 Ignition cut-out switches

Sidecars, Quads and Snowmobiles must have a cut-out fitted to operate when the rider leaves the machine. This cut-out system must stop the engine.

This ignition cut-out must be operated by a lanyard of non-elastic string of adequate length and thickness. Once the rider steps off the vehicle, the lanyard must disconnect from the cut-off switch and the engine. The lanyard must be fastened to the cut-out switch firmly in a way that it cannot be disconnected inadvertently but only when the rider leaves the machine.

The cut-out switch cannot be taped, glued wired or fitted solidly in place.

For Sidecars, Quads and Snowcross, the cut-out switch must be strapped to the rider's right-hand wrist or attached properly to the rider's waist. For Snowmobiles, it must be attached properly to the rider's waist.

In the case of vehicles belonging to Group J (Electric vehicles), refer to Art. 50.04.6.

01.39 FOOTRESTS

39.01

Footrests must be solidly fixed or of a folding type but in this case must be fitted with a device which automatically returns them to the normal position, and an integral protection is to be provided at the end of the footrest which must have at least 8 mm radius (see Diagrams). The footrest teeth shall not be sharp. As of 2020, the height of the footrest teeth must be 10 mm maximum.

01.41 BRAKES

41.01

All motorcycles must have at least two efficient brakes (one on each wheel) operated independently and operating concentrically with the wheel.

41.02

Vehicles in Group B must be fitted with at least two efficient brakes operating on at least two of the wheels, operated independently and operating concentrically with the wheels.

41.04

Snowmobiles must have at least one functional brake.

01.43 MUDGUARDS AND WHEEL PROTECTION

Motorcycles must be fitted with rounded mudguards.

43.01

Mudguards must project laterally beyond the tyre on each side.

43.02

The front mudguard must cover the circumference of the wheel at an angle sufficient enough to protect the rider from mud.

43.04

The rear mudguard measure described in the Diagrams ("L" distance) must not exceed 130 mm at the most extended positions of the front and the rear suspension, at full extension.

43.05

The ends of the mudguards must be rounded. The radius must be at least 3 mm. Mudguards must be made of flexible materials only (e.g. plastics).

43.07

If cast or welded wheels are used, a protection must be provided by enclosing the spokes with solid discs. Any open area between the outer edge of the solid disc and the wheel rim shall be maximum 10 mm (tyre inflation valve excepted).

01.45 STREAMLINING

No type of streamlining is allowed.

Radiator covers (shields) must be made of flexible materials only (e. g. plastics).

01.46 SUSPENSION

Electronically controlled suspension systems must not be used.

01.47 WHEELS, RIMS, TYRES

47.01

All tyres will be measured mounted on the rim at a pressure of 1 kg/sq.cm (14 lb./sq.in); measurements are taken at a tyre section plane with a 90° angle with the ground plane.

47.02

Any modification to the rim or spokes of an integral wheel (cast, moulded, riveted) as supplied by the manufacturer, or of a traditional detachable rim other than for spokes, valve or security bolts, is prohibited.

The only exception made is for tyre retention screws, sometimes used to prevent tyre movement relative to the rim.

If the rim is modified for these purposes, bolts, screws, etc., must be fitted.

47.03 Restrictions for wheel (rim) dimensions

Capacity	Maximum front wheel (rim) size	Maximum rear wheel (rim) size
65cc	14 inch	12 inch
85cc SW (small wheels)	17 inch	14 inch
85cc LW (large wheels)	19 inch	16 inch
125cc and up	21 inch	19 inch

01.49 TYRES

49.01

Scoop or paddle (continuous radial rib) tyres and/or tyres with lugs having a height of over 19.5 mm are forbidden.

49.03

The tyre surface shall not be fitted with subsequently mounted elements such as anti-skid spikes, special chains, etc.

01.50 ADDITIONAL SPECIFICATIONS FOR ELECTRIC POWERED VEHICLES (EPVs, Group J)

50.01 INTRODUCTION

The technical concept is reserved for motorcycles propelled by non-thermal energies with zero toxic/noxious emissions and by the action of one wheel in contact with the ground.

Amendments to these technical regulations may be made at any time in order to ensure fair competitions.

50.02 GENERAL EPV CLASS REQUIREMENTS

EPVs refer to two- and/or three-wheeled autonomous electric powered motorcycles, having traction on one or both wheels (with an unpowered sidecar if applicable).

The number of electric motors is limited to one.

50.02.1 Race Procedures

Race procedures to be defined by the Sporting Commission concerned.

50.02.2 Race Format (Guidelines – actual race format depends on the discipline and battery life)

Minimum race length:	20 minutes
Maximum race length:	30 minutes

50.02.3 Charging the accumulator

Energy supply will be provided in the paddock at the times and locations determined by the race Organiser.

Charging may only be done with the energy supply provided by the race Organiser.

The charging system must be separate from the machine and comply with all electrical safety requirements including thermal overload trip, fusing and be equipped with an earth leakage protection breaker.

50.02.4 Pit Stop

Riders will be allowed to define their own method of energy renewal subject to safety and practical considerations subject to the approval of the race Organiser.

Riders who wish to have a pit stop must declare the process and technology to the FIM Technical Director/Chief Technical Steward for a safety evaluation. All information will be treated with strict confidentiality.

50.02.5 Transponder timing

All machines must be equipped with an official transponder.

50.02.6 Technical Verifications

As a condition of entry, all safety items on-board the motorcycle must be precisely described and presented at the Technical Verifications.

The FIM Technical Director/Chief Technical Steward shall check both the machine and the rider for compliance with the technical specifications, as well as the employment of good engineering construction practice, and the presence of adequate electrical insulation and weatherproofing.

Damaged machines must be returned to the technical control area for examination after race or practice. In such circumstances it is the responsibility of the competitor to ensure both his machine and clothing have been rechecked and approved before further use in the event. If stickers/marks are used, a new sticker/mark must be in place.

It is the responsibility of the rider to ensure that a machine used in competition is electric, mechanically and structurally in a safe condition.

In case of a dispute, the decision of the FIM Technical Director will be final.

50.02.7 Conformity

It is the duty of each competitor to show the Technical Stewards of the meeting that his vehicle fully complies with these rules and the rules governing the meeting, in their entirety at all times.

50.03 General vehicle specifications

50.03.1 Requirements

All motorcycles must comply in every respect with all the requirements for racing as specified in the FIM General Technical Specifications, unless otherwise specified below.

The power circuit consists of all those parts of the electrical equipment which are used to propel the motorcycle. The on-board circuit consists of all those parts of the electrical equipment which are used for signalling, lighting or communication.

The accumulator is defined as any on-board equipment used for the storage of electrical energy supplied by the charging unit.

Recovering energy generated by the kinetic energy of the vehicle is permitted.

The use of any external source of energy in any form whatsoever with the aim of improving the performance of the vehicle is strictly prohibited.

50.03.2 Number Plates and Colours

See Art. 01.55.

50.03.3 Handlebars

See Art. 01.33.

50.03.4 Control levers

See Art. 01.35.

50.03.5 Foot Rest/Foot Controls

See Art. 01.39.

50.03.6 Wheel and rims

See Art. 01.47.

50.03.7 Tyres

See Art. 01.49.

50.03.8 Streamlining

See Art. 01.45.

50.03.9 Machine Weight

No minimum weight is applied. The maximum weight limit is 130 kg.

The machine will be checked for weight in the 'ready-to-race' condition. The verified weight may never fall below the required minimum weight.

50.03.10 Overall Dimensions

The specific dimensions for the vehicles of this discipline apply.

50.03.11 Inclination

It must be possible for a motorcycle not being loaded, to be inclined to an angle of 40 degrees from the vertical, without any part of it other than the tyre coming in contact with the ground.

In race conditions, the vehicle must be capable of affecting a standing start on an uphill slope with a gradient of 18%.

50.04 Electrical safety

It must be ensured that the components used cannot cause injury under any circumstances, either during normal operation or in foreseeable cases of malfunction. It must be ensured that the components used for protecting persons or objects can reliably fulfil their function for an appropriate length of time.

50.04.1 Electrical components

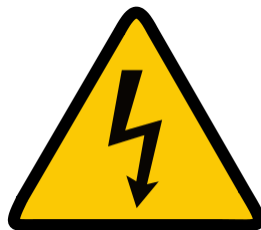
All parts of the electrical equipment must be protected to at least the equivalent of IP 44 type protection (dust proof and splash proof). Exposed connectors/wires must be protected against abrasion in case of accident (side covers).

50.04.2 Power bus maximum voltage

The maximum allowed voltage in the main power bus is 400VDC or 285VAC. A secondary power bus may be used to supply energy to the critical systems at a maximum voltage of 20VDC or 14VAC.

50.04.3 High voltage symbols

Symbols warning of 'HIGH VOLTAGE' must be displayed on or near the electrical equipment protective covers; all symbols must comprise a black flash of lightning inside a yellow triangle with a black border. The sides of the triangle must measure at least 8 cm, but may be larger if practical.



50.04.4 Insulation

Every part of the electrical equipment must be electrically insulated relative to all live components and system ground. Maximum default current is 20mA.

Wiring insulators can be required to be checked at any time by the FIM Technical Director/Chief Technical Steward. Double insulation will be required in high voltage or high current wires. Technical datasheets of the wires used will prevail under all circumstances.

Plus and minus wires from the battery must be insulated with respect to the chassis to withstand battery maximum voltage at least.

All electrically conducting non-live parts must be connected with the system ground.

In cases where the voltage of the power circuit exceeds 36VDC, the power circuit must be separated from the on-board circuit by an appropriate insulator.

Insulating material not having sufficient mechanical resistance, i.e. paint coating, enamel, oxides, fibre coatings (soaked or not) or insulating tapes are not accepted.

50.04.5 Power Indicator

When the vehicle is in a ready state, there must be two clearly visible indicators, one light on the instrument panel/on the front close the center of the handlebar and one light on the rear of the vehicle.

The rear light must be red and visible from at least 10 m away, from the rear or the side.

50.04.7 General circuit breaker – 'Emergency Stop'

The general circuit breaker must disconnect from the cut-off switch and discharge the main bus voltage below 60V. This system will be referred to as general circuit breaker or "Emergency stop".

Low power accumulators provided for low voltage circuits, e.g. auxiliary circuits, do not have to be isolated by the general circuit breaker (Emergency Stop) provided that they are completely isolated from the main power accumulators.

50.04.9 Fuses (over-current trip switches)

An over-current trip switch is a device which automatically interrupts the electrical current in which it is installed if the level of this current exceeds a defined limit value for a specific period of time.

Fuses must under no circumstance replace the general circuit breaker (Emergency Stop).

50.04.13 Capacitors

Voltage across capacitors belonging to the power circuit should fall below 65 volts within 5 seconds after the general circuit breaker is opened or the over current trips of the accumulator are blown.

50.04.15 Power control

A 'self-closing' throttle (power control) must be applied.

50.04.2 Accumulator (storage battery)

The type, dimensions and weight of accumulator/s cannot be changed between official practices and race.

All on-board electrical equipment, unless consisting of items originally powered by dry batteries, small accumulators or their own solar cells, must receive its energy supply from the vehicle's official accumulators.

IMPORTANT: As a condition of entry, a Material Data Safety Sheet must be supplied with the race entry for the machine, including all relevant details as to the accumulator chemistry, human and environmental hazards, handling and specific fire risks and precautions.

50.04.14 Accumulator fastening

The accumulator must be installed securely inside the vehicle and be protected against short-circuits and leakage. The accumulator must be attached to the frame or chassis using metal clamps with an insulating covering.

The fixing method must be designed in such a way that neither the accumulator nor the fastening device itself nor its anchorage points can come loose, even when subjected to a crash. A solid partitioning bulkhead must separate the location of the accumulator from the rider.

Each accumulator box must provide its own cooling and/or venting system. In modular battery systems, a heat shield is strongly recommended between modules, by means of an adiabatic shield or intumescent.

The accumulator installation must ensure that in the event of accumulator cell leakage or explosion, the contents are kept away from the rider and do not interfere in any way with the rider's vision or the safe handling of the machine.

01.51 ADDITIONAL SPECIFICATIONS FOR SUPERMOTO

The following specifications will apply for motorcycles entering the SuperMoto World Championship:

- **Minimum weight: 110 kg**

The fuel tank shall not contain more than 0.5 litres of fuel, when the machine is checked before the race.

These are absolute limits. No tolerance is applied when the machine is checked before the practice/qualifying race/race.

At any time, the minimum weight of the verified motorcycle must not be less than the required minimum weight.

After the race, a 1% tolerance in the weight of the machine is accepted when checked taking into account the variability of the test conditions.

A scale with a minimum resolution of 100g must be used.

- A safety device (pin or lock nut) should be installed on the brake pad fixture.
- The safety wire used on the bolts of the brake callipers must be visible.
- **All engines must be connected to a properly fastened oil catch tank of 0.2 litres minimum capacity, or have a closed breather system (engine breather system connected to the airbox).**

- Motorcycles must be equipped with a protective shield, installed under the engine, to act simultaneously as a protection and as a reservoir to collect losses of oil or coolants which may occur in case of an engine breakdown.
- One or several leak-proof catch tanks must be provided for the radiator water and for the breather system of the fuel tank when not fitted with a self-blocking overflow valve. These catch tanks must be emptied before each start.
- The only authorised cooling liquid is water.
- The safety wire used on oil and water filler caps, as well on drain plugs, must be visible.
- Motocross, enduro or trial tyres are prohibited.
- The maximum tread depth on the front and/or back tyres used must be 10 mm in the middle.
- Additional tread grooves, cuts, etc. are allowed on the front and/or back tyres.

01.53 ADDITIONAL SPECIFICATIONS FOR SIDECARS

53.01

The Sidecar must be fixed to the motorcycle in at least three points, if it is not an integral part of the chassis.

The fixing points must not allow movement at the joints (articulated Sidecars are strictly forbidden). If the angle of the inclination is changeable, it must be locked in such a way that the fixing method is completely secured and not only clamped on.

A structure of crossed belts or a metallic grid must be fitted to fill the opening between the wheels and the sidecar, to prevent the rider's foot from accidentally touching the ground.

The fuel tank(s) must be appropriately and independently protected from possible contact with the ground. **See also Art. 01.28.**

53.06

The drive shall be transmitted to the ground only through the rear wheel of the motorcycle.

53.07

The distance between the tracks left by the centre lines of the rear motorcycle wheel and the Sidecar wheel must be at least: 800 mm and not more than 1150 mm.

53.09

To reduce the torque in the steering, a maximum displacement of 75 mm is permitted between the front and the rear wheel.

53.10

The steering of the front wheel must be accomplished without any intermediate articulated steering joints directly by a classic telescopic fork or a swinging arm fork with the wheel supported equally each side (long or short leading link type). All other types of front wheel steering and suspension are forbidden.

53.11

The minimum dimensions of a Sidecar available for passenger accommodation are:

Length: 1 000 mm - Width: 400 mm

Height of the screen protecting the passenger: 300 mm minimum (see Diagrams).

53.12

The minimum ground clearance of a laden Sidecar when measured must not be less than 175 mm.

53.13

The position of the engine is optional, except that it must be positioned in front of the rear wheel.

If the engine and gearbox are mounted on plates, the minimum thickness of the steel plates must be 4 mm, and 5 mm for light alloy plates.

53.14

Handlebars must be firmly secured to the forks. They must be at a height above the mid-point in the seat.

The motorcycle must have a steering head which must be fitted like the handlebar, and must not be attached to the unsuspended part of the front wheel suspension.

53.16

For Sidecars, the Sidecar wheel must be covered or protected with a solid material.

53.17

Referring to the longitudinal axis of the motorcycle, the exhaust pipe shall not protrude beyond the width of the sidecar (if on the sidecar side) or protrude by more than 330 mm (if on the motorcycle side) (see Diagrams).

If the exhaust pipe is on the sidecar side, it must not exceed the vertical line drawn at a tangent to the rear edge of the Sidecar platform.

01.55 NUMBER PLATES

55.03

Number plates must be made of flexible materials only (e.g. plastic). The shape of the front number plate is free and may be part of the general design of the motorcycle.

55.04

The plates curved not more than 50 mm out of a true plane must not be covered or bent.

The English form for numbers must be used. That is single vertical line for the "one" and a simple sloping line without a horizontal line for the "seven" (see Diagram O).

Reflecting numbers are forbidden.

The numbers must be clearly legible. In case of a dispute, the decision of the FIM Technical Director will be final.

55.05 Front number plates

One plate must be fixed to the front inclined not more than 30° towards the rear from the vertical plane. Holes can be perforated between the numbers on the number plate. However, under no circumstances must the actual numbers be perforated.

The following minimum dimensions must be respected on the front number plate:

- Height of the number 140 mm
- Width of each number 70 mm
- Width of the stroke 25 mm
- Space between two numbers 15 mm
- Space between the FIM logo and the number 10 mm

55.06 Side number plates

The side number plates must be positioned above a horizontal line drawn through the rear wheel spindle and the front edge of the plate must be behind a vertical line drawn at 200 mm to the rear of the rider's footrest.

They must be fixed in such a manner as to be clearly visible and they must not be masked by any part of the motorcycle or by the rider when seated in the riding position.

In place of separate plates, a space of equivalent size in matt colours can be painted or fixed on the bodywork.

The side number plate or area considered as such must be minimum L 200 mm X W 150 mm, with sufficient area to take 3 digits (ie 888) as specified in the FIM Regulations. This area is considered the side number plate.

The following minimum dimensions must be respected on the side number plates:

- | | |
|---|--------|
| • Height of figure | 100 mm |
| • Width of figure | 70 mm |
| • Width of stroke | 25 mm |
| • Space between two figures | 15 mm |
| • Space between the FIM logo/publicity and the number | 10 mm |

55.09

All other number plates or markings on a motorcycle liable to cause confusion with the number must be removed before the start of a competition.

01.63 GASOLINE AND LUBRICANT

All vehicles must be fuelled with

- unleaded gasoline (from public pump station or race type) OR
- a mixture of unleaded gasolines OR
- a mixture of unleaded gasoline(s) and lubricant in the case of 2-stroke engines.

The unleaded gasoline or the mixture of unleaded gasolines used must comply with the FIM specifications as set out in Art. 63.01.

The mixture of unleaded gasoline(s) and lubricant must comply with the FIM specifications as set out in Art. 63.02.

Riders/teams must declare to the FIM Technical Director (or the FMNR Chief Technical Steward when there is no FIM Technical Director appointed) the make and type of gasoline to be used during practices and race(s), upon presentation of the rider/team's motorcycle(s) at the initial Technical Verifications. They are also recommended to provide a certificate issued by the gasoline company which certify that the gasoline has been tested and is in conformity with FIM specifications.

Gasoline companies which supply 'race' gasolines (gasolines other than those obtained at public pump stations) to participating teams/riders must test their gasoline at Intertek Schlieren (Switzerland) against all the FIM specifications set out in Art. 63.01.

Providing the gasoline is within the FIM specifications, a certificate containing a test report and batch number will be issued to the fuel company.

The gasoline company shall be able to provide a copy of such certificate to their client rider/teams before they take part in a race.

Contact for fuel analysis: fimfuels@intertek.com.

A list of gasolines which are in conformity with FIM specifications will be published by FIM on the FIM website.

Furthermore, in the cases in which only gasoline from the appointed supplier is permitted (for a specific event or the entire World Championship, Prize or Cup), the aforementioned gasoline shall have been previously tested in a FIM appointed laboratory in order to test its conformity with the FIM specifications as set out in Art. 63.01:

- in case of conformity, a certificate of conformity (including test report and tested batch number) shall be available and Art. 01.63 applies in case of controls for the riders/teams;
- in case the conformity is not achieved, the FMN of the organising country/the Organiser/the Promoter shall ask the FIM for a waiver in order to enable the use of gasoline not corresponding to FIM specifications. If the waiver is granted, the riders/teams will be responsible for using the gasoline provided without changing its composition. Controls may be carried out by FIM.

63.01 FIM specifications for unleaded gasolines or mixtures of unleaded gasolines

The following specifications are set for unleaded gasoline or the mixture of unleaded gasolines:

- a) The following properties shall be within the following thresholds (for each property, the relative test methods to be used for the measurement are indicated):

Property	Units	Min.*	Max.*	Test Method
RON		95.0	102.0	EN ISO 5164 or ASTM D2699
MON		85.0	90.0	EN ISO 5163 or ASTM D2700
Oxygen (includes 10% ethanol allowance)	% (m/m)		3.7	EN ISO 22854 ¹ or EN 13132 or elemental analysis
Nitrogen	% (m/m)		0.2	ASTM D 4629 ² or ASTM 5762
Benzene	% (V/V)		1.0	EN ISO 22854 or ASTM D6839 or ASTM D5580
Vapour pressure (DVPE)	kPa		100.0	EN 13016-1 or ASTM D5191
Lead	mg/L		5.0	ICP-OES or AAS
Manganese	mg/L		2.0	ICP-OES or AAS
Density at 15°C	kg/m ³	720.0	785.0	EN ISO 12185 or ASTM D4052
Oxidation stability	minutes	360		EN ISO 7536 or ASTM D525

Sulphur	mg/kg		10.0	EN ISO 20846 or ASTM D5453
<u>Distillation:</u>				EN ISO 3405 or ASTM D86
E at 70°C	% (V/V)	20.0	52.0	
E at 100°C	% (V/V)	46.0	72.0	
E at 150°C	% (V/V)	75.0		
Final Boiling Point	°C		210	
Residue	% (V/V)		2.0	
Appearance	clear, bright and visually free from solid matter and undissolved water			Visual inspection
Olefins	% (V/V)		18.0	EN ISO 22854 or ASTM D6839
Aromatics	% (V/V)		35.0	EN ISO 22854 or ASTM D6839
Total diolefins	% (m/m)		1.0	GC-MS or HPLC
<u>Oxygenates:</u>				EN ISO 22854 ¹ or EN 13132
Methanol	% (V/V)		3.0	The only oxygenates permitted are paraffinic mono-alcohols and paraffinic mono-ethers (of 5 or more carbon atoms per molecule) with a final boiling point below 210°C.
Ethanol	% (V/V)		10.0	
Isopropanol	% (V/V)		12.0	
Isobutanol	% (V/V)		15.0	
<i>tert</i> -Butanol	% (V/V)		15.0	
Ethers (C5 or higher)	% (V/V)		22.0	
Others	% (V/V)		15.0	

¹ In cases of dispute EN ISO 22854 will be the reference method.

² In cases of dispute ASTM D 4629 will be the reference method.

*All reported min. and max. thresholds do not include the tolerance, which needs to be calculated in accordance with ISO 4259 and taken into account to correct the min. and max. thresholds.

b) The total of individual hydrocarbon components present at concentrations of less than 5% (m/m) must constitute at least 30% (m/m) of the fuel. The test method will be GC-FID (gas chromatography-flame ionisation detector) and/or GC-MS (gas chromatography-mass spectrometry).

c) The total concentration of naphthenes, olefins and aromatics classified by carbon number must not exceed the values given in the following table:

% (m/m)	C4	C5	C6	C7	C8	C9+
Naphthenes	0	5	10	10	10	10
Olefins	5	20	20	15	10	10
Aromatics	-	-	1.2	35	35	30

Bicyclic and polycyclic olefins are not permitted. The fuel must contain no substances which are capable of exothermic reaction in absence of external oxygen.

63.02 FIM specifications for mixtures of unleaded gasoline(s) and lubricant

The lubricant

- must not change the composition of the gasoline fraction when added to the gasoline;
- must not contain any nitro-compounds, peroxides or any other engine power boosting additives;
- must in no way contribute to an improvement in overall performance;
- during the distillation up to 250°C, must not show a reduction in mass by evaporation of more than 10% (m/m) (test method: simulated distillation GC);
- must contain a max. content of anti-knock agents (lead, manganese, iron) of 10 mg/Kg (test method: ICP-OES).

Moreover, the following specifications are set for the mixture of unleaded gasoline(s) and lubricant:

- a) The following properties shall be within the following thresholds (for each property, the relative test methods to be used for the measurement are indicated):

Property	Unit	Min.	Max.	Test Method
RON			102.0*	EN ISO 5164 or ASTM D2699
MON			90.0*	EN ISO 5163 or ASTM D2700
Density at 15°C	kg/m ³	690**	815**	EN ISO 12185 or ASTM D4052

*Reported min. and max. thresholds do not include the tolerance, which needs to be calculated in accordance with ISO 4259 and taken into account to correct the min. and max. thresholds.

** Min. and max. thresholds do include the tolerance.

63.03 Air

Only ambient air may be mixed with the fuel as an oxidant.

63.05 Sampling and Testing

The FIM may require gasoline controls, i.e. controls of the unleaded gasoline, mixture of unleaded gasolines or mixture of unleaded gasoline and lubricant, used by riders/teams at events. These controls involve an initial sampling at the event and further testing in the FIM appointed laboratory.

63.05.01 Sampling

- 1) The FIM Technical Director (or the FMNR Chief Technical Steward when there is no FIM Technical Director appointed) is the sole official responsible for the sampling management and supervision.
- 2) Riders/teams selected for gasoline controls are directed to proceed with their vehicles to the area that has been designated for this purpose.
- 3) The FIM Technical Director/FMNR Chief Technical Steward collects the gasoline from the motorcycle by using only new sample containers and pipettes/hand pumps.
The gasoline is transferred through the use of the pipette/hand pump directly from the gasoline tank into three containers, denominated A, B and C. The containers are closed and sealed by the FIM Technical Director/FMNR Chief Technical Steward.
- 4) The FIM Technical Director/FMNR Chief Technical Steward fills in (in all its parts) and signs the Gasoline Sample Declaration Form (see 63.04.03). The rider or a team representative also signs this Form, after verifying that all the information is correct.
- 5) The FIM Technical Director/FMNR Chief Technical Steward prepares an appropriate shipping box containing the collected A, B and C samples and a copy of the respective, signed, Gasoline Sample Declaration Form. The box is then shipped to the FIM appointed laboratory by registered courier.

63.05.02 Testing

- 1) One or more properties to be checked (following the relevant testing method as per Art. 63.01 and 63.02) are set by the FIM for each selected rider/team.
- 2) Sample A is the first sample to be tested by the FIM appointed laboratory.
- 3) Sample B can be used for a second analysis if required by the FIM. The test result of the A or B sample more favourable to the rider/team is taken into account. Costs for the shipping and testing of sample A and B are paid by FIM.
- 4) As soon as possible after completing the testing, the FIM appointed laboratory reports the test results directly to the responsible CTI Coordinator.
- 5) For negative cases (i.e. conformity of the tested property(ies) with the specification), the riders/teams concerned will be individually informed by the FIM in due course, copying the rider/team's FMN, the FIM Technical Director/FMNR Chief Technical Steward, the competent authority (e.g. Race Direction, International Jury), the CTI Director, the Director and Coordinator(s) of the sporting Commission concerned.
- 6) Only for positive cases following testing of sample A or B or A and B (i.e. non-conformity of one or more properties*), the responsible CTI Coordinator notifies by electronic mail* the rider/team concerned (including the testing

results) and, 24 hours after, forwards the relevant information to the rider/team's FMN, the FIM Technical Director/FMNR Chief Technical Steward, the competent authority (e.g. Race Direction, International Jury), the CTI Director, the Director and Coordinator(s) of the sporting Commission concerned.

*Note: The non-conformity of one property (except the Appearance) is sufficient for declaring non-conformity of the gasoline or the mixture.

7) If the rider/team wishes to request a counter-expertise, he must notify the responsible CTI Coordinator by electronic mail* accordingly, within 72 hours of receipt by the FIM of the delivery status notification pertaining to the notification of the test results to the rider/team.

- If a counter-expertise is requested, the sample dedicated to the counter-expertise is sample C and the test shall aim at checking the same property(ies) previously checked on sample A/B. The rider/team can request that sample C be tested at one of the available FIM appointed laboratories. Costs for shipping and testing of sample C are paid by the rider/team concerned.

Upon notification of the sample C results, the responsible CTI Coordinator notifies by electronic mail* the rider/team concerned (including the testing results) and forwards the relevant information to the rider/team's FMN, the FIM Technical Director/FMNR Chief Technical Steward, the competent authority (e.g. Race Direction, International Jury), the CTI Director, the Director and Coordinator(s) of the sporting Commission concerned.

- If no counter-expertise is requested within the time limit, the responsible CTI Coordinator forwards the relevant information by electronic mail* the rider/team's FMN, the FIM Technical Director/FMNR Chief Technical Steward), the competent authority (e.g. Race Direction, International Jury), the CTI Director, Director and Coordinator(s) of the sporting Commission concerned.

8) The competent authority of the event concerned (e.g. Race Direction, International Jury) takes a decision based on the information received. The Coordinator of the sporting Commission concerned notifies the rider/team concerned regarding the decision by electronic mail*.

The non-conformity of the


- A sample (in the cases B sample was not used) or
- B sample (in the cases A sample result was not conclusive) or
- A and B samples or
- A and B and C samples (in the cases B sample was used and a counter-expertise was requested) or
- A and C samples (in the cases B sample was not used and a counter-expertise was requested),
- automatically results in the disqualification of the rider/team from the entire event.

No disqualification will be applied in case of conformity of sample C.
Furthermore, in any case, other penalties may be applied.

- 9) The rider/team has the right to appeal against the decision of competent authority of the event concerned (e.g. Race Direction, International Jury) in accordance with FIM Disciplinary and Arbitration Code applicable to the relevant discipline.

*The receipt of a delivery status notification will be deemed as proof of delivery.

63.05.03 Gasoline Sample Declaration Form

 FIM WORLD CHAMPIONSHIPS, CUPS AND PRIZE EVENTS Gasoline Sample Declaration Form																										
Discipline																										
IMN (xxx/xx)																										
Rider/team's name																										
Rider/team's number																										
Rider/team's email or telephone number																										
Team																										
Vehicle's make																										
Gasoline's make and type																										
Gasoline origin (public station or race supplier)																										
Gasoline samples taken on date (dd/mm/yy)																										
Gasoline samples taken at (right before or right after): <table border="0"> <tr> <td>MOTOCROSS</td> <td>TRIAL</td> <td>TRACK RACING</td> <td>ENDURO/ISDE</td> <td>RALLIES/BAJAS</td> </tr> <tr> <td><input type="checkbox"/> Practice</td> <td><input type="checkbox"/> Day 1</td> <td><input type="checkbox"/> Heat n°__</td> <td><input type="checkbox"/> Day 1</td> <td><input type="checkbox"/> Day 1</td> </tr> <tr> <td><input type="checkbox"/> Qualifying race</td> <td><input type="checkbox"/> Day 2</td> <td></td> <td><input type="checkbox"/> Day 2</td> <td><input type="checkbox"/> Day 2</td> </tr> <tr> <td><input type="checkbox"/> Race 1</td> <td></td> <td></td> <td><input type="checkbox"/> Day n°__</td> <td><input type="checkbox"/> Day n°__</td> </tr> <tr> <td><input type="checkbox"/> Race 2</td> <td></td> <td></td> <td></td> <td></td> </tr> </table>		MOTOCROSS	TRIAL	TRACK RACING	ENDURO/ISDE	RALLIES/BAJAS	<input type="checkbox"/> Practice	<input type="checkbox"/> Day 1	<input type="checkbox"/> Heat n°__	<input type="checkbox"/> Day 1	<input type="checkbox"/> Day 1	<input type="checkbox"/> Qualifying race	<input type="checkbox"/> Day 2		<input type="checkbox"/> Day 2	<input type="checkbox"/> Day 2	<input type="checkbox"/> Race 1			<input type="checkbox"/> Day n°__	<input type="checkbox"/> Day n°__	<input type="checkbox"/> Race 2				
MOTOCROSS	TRIAL	TRACK RACING	ENDURO/ISDE	RALLIES/BAJAS																						
<input type="checkbox"/> Practice	<input type="checkbox"/> Day 1	<input type="checkbox"/> Heat n°__	<input type="checkbox"/> Day 1	<input type="checkbox"/> Day 1																						
<input type="checkbox"/> Qualifying race	<input type="checkbox"/> Day 2		<input type="checkbox"/> Day 2	<input type="checkbox"/> Day 2																						
<input type="checkbox"/> Race 1			<input type="checkbox"/> Day n°__	<input type="checkbox"/> Day n°__																						
<input type="checkbox"/> Race 2																										
	<table border="1"> <thead> <tr> <th></th> <th>Container seal n°</th> </tr> </thead> <tbody> <tr> <td>Sample A</td> <td></td> </tr> <tr> <td>Sample B</td> <td></td> </tr> <tr> <td>Sample C</td> <td></td> </tr> </tbody> </table>		Container seal n°	Sample A		Sample B		Sample C																		
	Container seal n°																									
Sample A																										
Sample B																										
Sample C																										
The above listed details refer to gasoline samples taken from the gasoline tank of the motorcycle specified. Sample A is the first testing sample to be used by the FIM appointed laboratory. Sample B can be used for a second analysis if required by the FIM. Sample C is used if a counter-expertise is required by the rider/team. The serial numbers of the vial seals and the accuracy of the listed information have been verified.																										
Rider or team responsible name																										
Rider or team responsible signature																										
FIM Technical Director/FMNR Chief Technical Steward name																										
FIM Technical Director/FMNR Chief Technical Steward signature																										

01.65 EQUIPMENT AND PROTECTIVE CLOTHING DURING PRACTICE AND RACE

The FIM cannot be held liable for any injuries that a rider or passenger may sustain from the use of a specific item of equipment or protective clothing.

65.01 Clothing and protectors

In general, it is recommended to use suit, trousers, long-sleeve shirts and undergarments made of textiles which are not fully constituted of nylon or spandex (e.g. Lycra, Elastan), in order to avoid degradation in case of abrasion (friction).

Moreover,

For Motocross/Sidecar/Quads:

It is compulsory that **all** riders/passengers wear either a suit or trousers and long-sleeve shirt.

Moreover, it is compulsory that **all** riders/passengers wear, as a minimum, chest and back protectors, incorporated within the suit or worn separately.

It is compulsory that **all protective devices are clearly marked with the relative norms and comply with the following standard:**

- EN 1621-1 (or EN 1621 Part 1), Level 2, for shoulders, elbows, hips and knees
- EN 1621-2 (or EN 1621 Part 2) Level 1 or 2, or EN14021, for the back:

Note: CB (Central Back) and FB (Full Back)
- EN 1621-3 (or EN 1621 Part 3) Level 1 or 2, or EN 14021, for the chest

Chest and back protectors must be clearly marked according with the relative norms.

It is strongly recommended to wear shoulder, elbow and knee protectors as well.

For Junior riders:

Minimum - Level 1 protectors for shoulders, elbows and knees are compulsory.

For Snowmobiles:

The rider must wear suitable clothing (a suit or trousers and long-sleeve shirt) to afford protection against the cold.

For Supermoto:

Riders must wear a complete leather suit in one piece, with a minimum thickness of 1.2 mm, and with additional leather padding or other protection on the principal contact points (elbows, shoulders, fore-arms, hips, knees, etc.).

Moreover, it is compulsory that riders wear a back protector complying with EN 1621-2, CB ("central back") or FB ("full back") Level 1 or 2, or EN 14021.

Sections of the leather suit not directly subject to 'crash' damage may use a small limited area or strip not made of leather.

65.02 Footwear

Footwear, in a good condition, made of leather or other materials having equivalent properties, shall be worn and have a minimum height of 30 cm.

65.03 Gloves

All disciplines riders/passengers shall wear gloves made of leather or other materials having equivalent properties.

65.04 Eye protection

Riders/passengers shall wear goggles.

The use of glasses, helmet visors and 'tear offs' or 'roll offs' are also permitted. The material used for glasses, goggles and visors must be made of shatter-proof material. Helmet visors must not be an integral part of the helmet.

Eye protectors which cause visual disturbance (e.g. scratched) must not be used.

01.67 WEARING OF HELMETS

- It is compulsory for all participants taking part in practice and races to wear a protective helmet. The helmet must be properly fastened, be of a good fit, and be in good condition. The helmet must have a chin strap type 'retention system'.
- A protective lower face cover must be present and must be not detachable and not moveable.
- Helmets constructed with an outer shell made of more than one piece are not permitted (e.g. they must not contain any seam).
- A retention system with a strap and the double D ring closing system is recommended.
- All helmets must be marked with one of the official international standard marks mentioned in Art. 01.70. Any FMN approval marks do not substitute the official international standard marks.
- A helmet is made to provide protection. A helmet is not a platform to attach foreign objects.

Failure to observe the above rules will entail exclusion.

01.69 HELMET OPERATIVE INSTRUCTIONS

69.01

Scrutineers, under the supervision of the Chief Technical Steward, may check prior to practice and the races that all helmets meet the technical requirements.

69.02

If a helmet does not meet the technical requirements or is found to be defective, the Technical Steward must clearly mark in red (e.g. with a red dot) all international marks without destroying them and retain the helmet until the end of the event. The rider must submit another helmet for approval by the Technical Steward. After an accident involving impact, the helmet must be presented to the Technical Steward for examination.

69.03

All helmets must be intact and no alteration must have been made to their construction.

69.04

The Chief Technical Steward/Technical Steward may ask a rider for the following checks before the rider is permitted to take part in practice or race:

69.04.1 That the helmet fits well on the rider's head.

69.04.2 That it is not possible to slip the retention system over the chin, when fully fastened.




69.04.3 That it is not possible to pull the helmet over the rider's head by pulling it from the back of the helmet.

01.70 RECOGNISED INTERNATIONAL HELMET APPROVAL MARKS

Helmets must conform to one of the recognised international standards:

EUROPE	ECE 22-05 (only "P" type)
JAPAN	JIS T 8133:2015 (only "Type 2 Full face")
USA	SNELL M 2015

Examples of labels are reported below (for Europe, the country numbers which have granted the approval are also indicated):

EUROPE	 <p>051406/P-1952</p> <p>3/ 1 for Germany, 2 for France, 3 for Italy, 4 for the Netherlands, 5 for Sweden, 6 for Belgium, 7 for Hungary, 8 for the Czech Republic, 9 for Spain, 10 for Yugoslavia, 11 for the United Kingdom, 12 for Austria, 13 for Luxembourg, 14 for Switzerland, 15 (vacant), 16 for Norway, 17 for Finland, 18 for Denmark, 19 for Romania, 20 for Poland, 21 for Portugal, 22 for the Russian Federation, 23 for Greece, 24 for Ireland, 25 for Croatia, 26 for Slovenia, 27 for Slovakia, 28 for Belarus, 29 for Estonia, 30 (vacant), 31 for Bosnia and Herzegovina, 32 for Latvia, 33 (vacant), 34 for Bulgaria, 35 (vacant), 36 for Lithuania, 37 for Turkey, 38 (vacant), 39 for Azerbaijan, 40 for The former Yugoslav Republic of Macedonia, 41 (vacant), 42 for the European Community (Approvals are granted by its Member States using their respective ECE symbol), 43 for Japan, 44 (vacant), 45 for Australia, 46 for Ukraine, 47 for South Africa and 48 for New Zealand. Subsequent numbers shall be assigned to other countries in the chronological order in which they ratify or accede to the Agreement Concerning the Adoption of Uniform Technical Prescriptions for Wheeled Vehicles, Equipment and Parts which can be Fitted and/or be Used on Wheeled Vehicles and the Conditions for Reciprocal Recognition of Approvals Granted on the Basis of these Prescriptions, and the numbers thus assigned shall be communicated by the Secretary-General of the United Nations to the Contracting Parties to the Agreement.</p>
JAPAN	 <p>Protective helmet for motor vehicle users T8133:2015 Class 2 Certification No. XX0000000 Label serial No. 0000000000 XXX Manufacturer's name <small>(Trade mark of certification body)</small></p>
USA	 <p>WARNING: SOME REASONABLY FORESEEABLE IMPACTS MAY EXCEED THIS HELMET'S CAPABILITY TO PROTECT AGAINST SEVERE INJURY OR DEATH.</p> <p>12015</p> <p>SAMPLE</p> <p>SNELL MEMORIAL FOUNDATION</p>

01.73 NATIONAL COLOURS FOR HELMETS

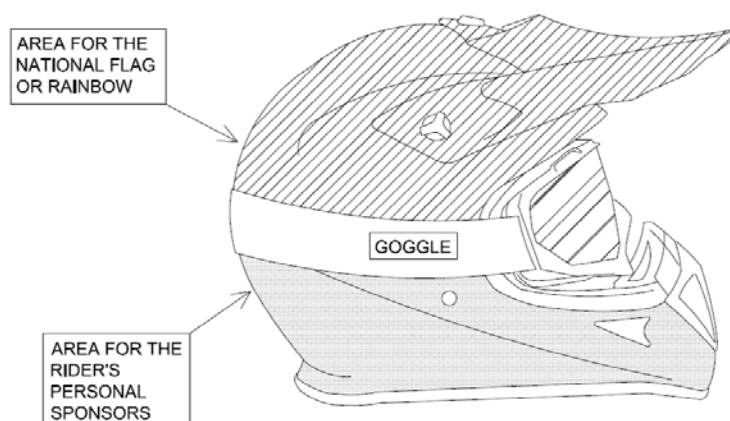
In competitions between national teams (e.g. FIM Motocross of Nations), it is compulsory that the helmet's overall graphics represent the colours of the team's national flag or the colours as mentioned in the table below. The national flag can be replicated in stripes, bands or other patterns.

Andorra	FMA	White with vertical blue, yellow and red bands
Argentina	CAMOD	White with blue horizontal band
Australia	MA	Green and yellow sides, red, white & blue representation of the Australian flag across the top
Austria	OeAMTC	Bright red with a 60 mm wide black band and the label of the OeAMTC in a white field on the front side
Belgium	FMB	Yellow
Brazil	CBM	Yellow and green
Bulgaria	BMF	Green and red
Canada	CMA	White and 3 Red Maple leaves, one on front and one on each side

Chile	FMC	Red with blue band and yellow stars
China	CMSA	Red and yellow
Czech Republic	ACCR	Blue with red, white and blue border
Denmark	DMU	Red and white
Finland	SML	White with blue cross
France	FFM	Blue
Germany	DMSB	White with black border
Great Britain	ACU	Green
Greece	ELPA	White with blue border
Hungary	MAMS	Red and green
Ireland	MCUI	Green and orange
Italy	FMI	Red with one green and one white horizontal band
Japan	MFJ	White with red circle on top
Kenya	KMSF	Black, Red, Green, with white bands and the country name KENYA on both sides.
Luxembourg	MUL	Purple
Mexico	FMM	White with green and red border
Monaco	MCM	Blue and white
Netherlands	KNMV	Orange
New Zealand	MNZ	White with black kiwi on front
Norway	NMF	Red and blue
Peru	FPEM	Red with 75 mm wide white strips and blue and yellow chequered border
Poland	PZM	White with red band
Portugal	FNM	White
Rumania	FRM	Black with vertical blue, yellow and red bands with national emblem.
Russia	MFR	White with a red border and a vertical red band with star
San Marino	FSM	White with the San Marino National emblem
Slovakia	SMF	Blue, red and white
South Africa	MSA	Black, green, blue and red with yellow and white bands
Spain	RFME	Yellow and red
Sweden	SVEMO	Blue and yellow
Switzerland	FMS	Red with white cross
Uruguay	FUM	Light blue
USA	AMA	Blue with 2 white bands

In addition, the defending FIM Team World Champion is allowed to wear the rainbow colours on the helmet.

The rider's personal sponsors may be part of the overall graphics or displayed in a separate and dedicated area below the goggles strap (usually horizontal). The helmet model and graphics of each of the riders of a team may be different.



The overall graphics on the helmet must always be approved, in any case, by the FMN of the team.

Whenever a team is using a helmet and there is a case of *force majeure* (e.g. change of rider, broken helmet, etc.), the helmet in question can be replaced by any other helmet, provided that it complies with the FIM Technical Rules for the current year and has been presented to the Technical Stewards of the event.

01.75 BADGE OF THE FIM

Under certain circumstances the FIM may permit the use of the FIM badge on certain equipment in order to show that the latter conforms to the standards laid down by the FIM. When this authorisation is granted and provided the equipment on which it appears is in good condition, the badge is then the guarantee of the conformity with the standard set by the FIM.

01.76 NUMBER SASHES (BIBS)

Starting numbers to be worn on sashes (bibs) or printed on the riders' jersey must be conforming to the following:

76.01

The colour of the number must be in strong contrast with the colour of the background. The number may be outlined. The colour of the outlining must be in contrast to the background color as well as the number colour (ex: a white jersey with orange numbers could use a black outline).

76.02

Distance between the numbers: 1.5 cm.

76.03

Height of number: minimum 20 cm.

76.04

Width of number: minimum 10 cm for one-digit numbers
minimum 20 cm for two-digit numbers
minimum 25 cm for three-digit numbers.

76.05

Width of stroke: 3 cm.

76.06

Minimum free space around the number without publicity: 5 cm.

76.07

Bibs if manufactured from plastic material must be perforated to provide adequate ventilation.

76.08

Starting numbers used by riders on number sashes or tee-shirts must be in compliance with the starting number of the race in question. Furthermore the numbers must be worn during the practices as well as during the races.

01.77 TECHNICAL VERIFICATIONS

77.01 Preparation

- Prior to the Technical Verifications, it should be decided who is doing what and note decisions. "Efficiency" must be the watchword. Always keep cheerful and remember the reasons for scrutineering: SAFETY AND FAIRNESS.
- Before the START of the competition, a closed and guarded area (closed parc/parc-fermé) shall be prepared.
- Inspection must take place under cover with a large enough area.
- Inspection area must be supplied with the necessary equipment, including tables, chairs, electric light and power outlet.
- Weighing apparatus must be accurate, practical and have a minimum resolution of 100g. Weighing scales must have been certified by a National Institute within the period of 24 months before the event. Certified master weights and their certificate must be available for verifying.
- The necessary tools are listed below:

- ✓ Revolution meter
 - ✓ Sound meter, calibrator and spare batteries
 - ✓ Slide calliper (for verifying engine capacity, carburettor diameter, etc.)
 - ✓ Depth gauge
 - ✓ Steel measuring tape
 - ✓ Arrangement for measuring ground clearance (for Sidecars)
 - ✓ Seals
 - Weighing apparatus and set of reference weights (to be furnished by the Organiser)
 - ✓ Tools for measuring the engine capacity
 - ✓ Lampoil tester is recommended and when used, it indicates the cylinder capacity. When a more precise measurement is required, the Chief Technical Steward may ask to take the cylinder head off the cylinder.
 - ✓ Colour for marking parts
 - ✓ Heat resistant stickers or paint for marking the silencer (and solvent)
 - ✓ Magnet
 - ✓ Adequate fuel sample bottles
 - ✓ PC with CD Drive + updated operating system
 - ✓ Printer, etc. are recommended
 - ✓ Calculator
- The necessary documents are listed below:
 - ✓ Supplementary Regulations
 - ✓ FIM Technical Rules - current year
 - ✓ FIM Rules of the discipline concerned
 - ✓ FIM Sporting Code
 - ✓ Homologation papers (if applicable)
 - ✓ Writing material
 - ✓ Technical Verifications forms
 - All necessary measures and administrative equipment should be in place at least 1/2 hour before the start of the Technical Verifications is due to open (time in Supplementary Regulations).

77.02 Verifications

- The Technical Verifications before the official practice and before the race should last at least one hour, after the race last at least 30 min.
- The Technical Verifications must be carried out in conformity with the procedure and times fixed in the CMS Rules and the Supplementary Regulations of the event.
- The Sound control must be carried out first. The Sound level will be recorded in the technical card. The exhaust silencer will be marked with paint or sticker.
- An example of minimum verifications that shall be performed is given below:

INITIAL TECHNICAL VERIFICATIONS	TRIAL	MOTO CROSS	TRACK RACING	ENDURO	CROSS-COUNTRY RALLIES and BAJAS
Make + model	✓	✓	✓	✓	✓
Sound	✓	✓	✓	✓	✓
Cut-off switch	✓	✓	✓	✓	✓
Self-closing throttle	✓	✓	✓	✓	✓
Lights (front, rear, brake)	✓*			✓*	✓
Race fuel certificate	✓	✓	✓	✓	✓
Vehicle identification plate/chassis number				✓	✓
Crankcase				☐	☐
Wheels (hubs)				☐	☐
Registration plate + insurance (green card)				✓	✓
Weight + ballast	✓	✓	✓		
Fuel tank	✓				✓
Silencer	✓	✓	✓	✓	✓
Carburettor			✓		
Guard for the countershaft sprocket and rear sprocket	✓	✓	✓	✓	✓
Handlebar ends + protection + levers	✓	✓	✓	✓	✓
Front/rear brake disc protection	✓				
Side stand				✓**	✓
Tyres	✓	✓	✓	✓	✓
Helmet(s) + national colors	✓	✓	✓	✓	✓
Protective clothing	✓	✓	✓	✓	✓

* not applicable for closed circuits when specified in the Supplementary Regulations

** not applicable in SuperEnduro

- An overall inspection of the motorcycle must be carried out in conformity with the FIM rules. On accepted motorcycles a sticker or paint will be applied on the front of the main frame.
- The Technical Verifications will only be carried out when the Technical Verifications form of the motorcycle has been presented by the rider or his mechanic.
- The fuel tank shall contain a maximum of 0.5 litres of fuel. In case of doubt, the Chief Technical Steward will measure the weight with an empty tank.
- For the Technical Verifications taking place after the race, it shall be ensured that the selected machines used during the race go directly to the Closed Parc (Parc Fermé).

77.03 FMNR Chief Technical Steward and technical stewards

- The Chief Technical Steward must be in attendance at an event one hour before the Technical Verifications are due to begin. He must inform the Clerk of the Course/FIM Race Director and FIM Technical Director, if present, of his arrival.
- The Chief Technical Steward must ensure that all technical stewards appointed for the event carry out their duties in a proper manner. The Chief Technical Steward shall appoint the technical stewards to individual posts for the race, practices and final control.
- Scrutineers can have different tasks, but the team of scrutineers must have a minimum of six persons. The FMNR Chief Technical Steward must be a holder of an FIM SENIOR Technical Stewards Licence and at least one Technical Steward must hold a FIM Technical Stewards Licence. A minimum number of scrutineers is required according to the following:
 - Checking of documentation: one person
 - Sound test, silencer marking: two persons
 - Machine weight: one person
 - Machine inspection, helmet and clothing: two persons
- The Sound Control Officer (SCO) must be holder of a valid FIM Technical Steward's license, come with good knowledge and experience of the sound control and application of the test method. The FMNR may propose the services from a special technician (acoustic engineer) if there is no FIM licenced Technical Steward available to act as SCO.
- Ten minutes before each start and in the waiting area, the technical steward will carry out the control of the seals and marks on the exhaust systems and the riders' equipment.

- During the event the technical steward will control the seals, marks on the exhaust systems and the riders' equipment in the repair zone. He must follow the work being carried out on the machines in order to ensure that no motorcycle becomes a source of danger.
- Immediately after the last race the first three motorcycles will be placed in a closed park for technical control. The machines must remain in the closed park for 30 minutes after the arrival of the winner, in case of a protest or should further examination be required.
Competitors must retrieve their machines within 30 minutes after the opening of the closed park area, except for the machines which are chosen for disassembly.
After this time limit, the closed park officials will no longer be responsible for the machines left behind.
- After the technical control has been completed the Chief Technical Steward will submit to the Clerk of the Course/FIM Race Director a list stating the names of the accepted riders and machines, the sound levels and weights of machines.
- If a motorcycle is involved in an accident, the Technical Steward must check the machine to ensure that no defect of a serious nature has occurred. However, it is the responsibility of the rider to present his machine for this re-examination together with the helmet and clothing worn.
- If the helmet is clearly defective, the Technical Steward must retain it. The organiser must send this helmet, together with the accident and medical report (and pictures and video, if available) to the Federation of the rider. If there are head injuries stated in the medical report, the helmet then must be sent to a neutral institute for examination.
- The Chief Technical Steward has the right to look/ inspect any part of the motorcycle at any time of the event.
- All technical stewards shall be well informed and shall make sure their FMN has supplied them with all technical "updates" that may have been issued subsequent to the printing of the Technical Rules books.

77.04 FIM Technical Director

- The FIM Technical Director is appointed by the Director of the FIM International Technical Commission in consultation with the Director of the FIM Motocross Commission.
- The FIM Technical Director is not responsible for the technical verifications but will ensure that they are carried out in accordance with the FIM Technical Rules.
- The FIM Technical Director works in cooperation with the FIM Race Director and the FIM Delegate.

- The authority and duties of the FIM Technical Director include but are not limited to (Please, also refer to the FIM Technical Rules):
 - a) The FIM Technical Director will report any concerns or deficiencies relating to the technical verifications to the FIM Race Director and FIM Delegate and present proposals to resolve such concerns.
 - b) The FIM Technical Director is the final arbiter in relation to technical issues at the event.
 - c) The FIM Technical Director will examine with the Chief Technical Steward the motorcycle(s) and the protective equipment of any rider(s) involved in serious or fatal accidents and present a written report to the FIM Delegate.
 - d) The FIM Technical Director will attend all meetings of the Race Direction, but without voting rights.

77.05 Rider and/or mechanic

- The rider and/or the mechanic and/or the Team Manager must attend at least once the Technical Verifications with the (rider's) machine within the time limits stated in the Supplementary Regulations.
- On request of the technical steward, the rider must present himself to the Technical Verifications.
- The maximum number of persons present at the technical verification will be the rider and/or the mechanic and/or the Team Manager.
- A rider remains at all times responsible that his machine and his personal protective gear are in conformity with the FIM Technical Rules for Motocross motorcycles.
- The rider and/or the mechanic and/or the Team Manager must present a clean motorcycle in conformity to the FIM rules and a duly filled in and confirmed Technical Verifications form.
- A rider and/or the mechanic and/or the Team Manager must present one motorcycle for technical inspection under the rider's name and number. As for the second motorcycle, there are two possibilities:
 - 1) A rider and/or the mechanic and/or the Team Manager can present a second motorcycle for technical inspection under his name and number.
 - 2) A team or a group of riders/mechanics/Team Managers can present a second motorcycle for technical inspection. It can then be used by several riders, on condition that the motorcycle has been marked under each rider's name and number. In this case, the team presenting the motorcycle

must indicate at the moment of technical inspection the names and numbers of the riders eligible to use it.

- The rider may change the motorcycle between races. The final choice must be made a minimum of 10 minutes before the start of each race.
- The rider and/or the mechanic and/or the Team Manager must present the rider's protective wear (equipment), e.g. helmet and bib with prescribed starting number.
- Any rider failing to report as required by the provisions below may be excluded from the meeting.
- The Clerk of the Course/FIM Race Director may prohibit any person who does not comply with the rules, or any rider who could be a danger to other participants or to spectators, from taking part in the competitions.

01.78 DANGEROUS MACHINES

If, during practice or the race, a Technical Steward finds that a machine is defective and might constitute a danger to other riders, he must immediately notify the Clerk of the Course/FIM Race Director or his deputy. It is their duty to exclude such a machine either from the practice or from the race itself.

01.79 SOUND CONTROL

NOTES:

- EPVs (Group J) are exempted from sound level control.
- For the first World Championship event, all competitors' machines will be checked for sound level. After the first event, the machine of a 'wild card-' or 'one event' rider will be checked for the sound level, as well as any other rider's machine on a random basis.
- Excessively loud machines must always be checked, regardless of the participants' status.

In order to pursue the measures taken to reduce the sound level in favour of environment and in the framework of the 'RIDE QUIET' campaign, a new method for measuring the sound level called "2 metre max" is applied as from 2013 in all 'all-terrain' disciplines.

The technical specifications and the resources to apply such a method, for the use of the technical stewards and officials, are outlined in the present Article.

The "2 metre max" method shows a very good correlation between the sound power level (L_{WA}) issued by motorcycles in full acceleration, and the maximum sound pressure levels measured at proximity of the same motorcycles, with engines at idle and quickly taken to their maximum rotational speeds.

The "2 metre max" method will consist in quantifying not only the sound level produced by the silencer of the exhaust, but the maximum global sound level achieved by the motorcycle when the engine rpm's are raised to the maximum engine speed, limited by a natural regulation (for 2 strokes) or rev limiters (for 4 strokes).

Only the sound levels measured with the "2 meter max" method will be considered by the technical stewards and by the Race Direction/Jury of the event to decide whether the motorcycle is in conformity with the maximum sound levels authorised.

79.01 Preparation of the sound meter

For all FIM Championships and Prizes, all sound meters must have a frequency response According to IEC61672 Section 11 within a limit of plus or minus 2 dBA from 125 to 8000 Hz at 94, 104 and 114 dBA.

Sound level measuring equipment must also include:

- a compatible calibrator, which must be used immediately before testing begins and always just prior to a re-test if a disciplinary sanction may be imposed;
- a tachometer.

Two sets of equipment must be available in case of failure of tachometer, sound level meter or calibrator during technical control.

The sound meter shall be prepared by applying the following procedure:

- Activate the 'A' weighing
- FAST time weighting must be activated
- Select the highest range available (ex. 80~130 dB)
- Calibrate the sound meter according to the instructions, taking into account the incidence of the wind foam ball
- Position the wind foam ball on the microphone
- Activate the function MAX MIN – set on MAX

79.02 Set up of the sound meter and the motorcycle

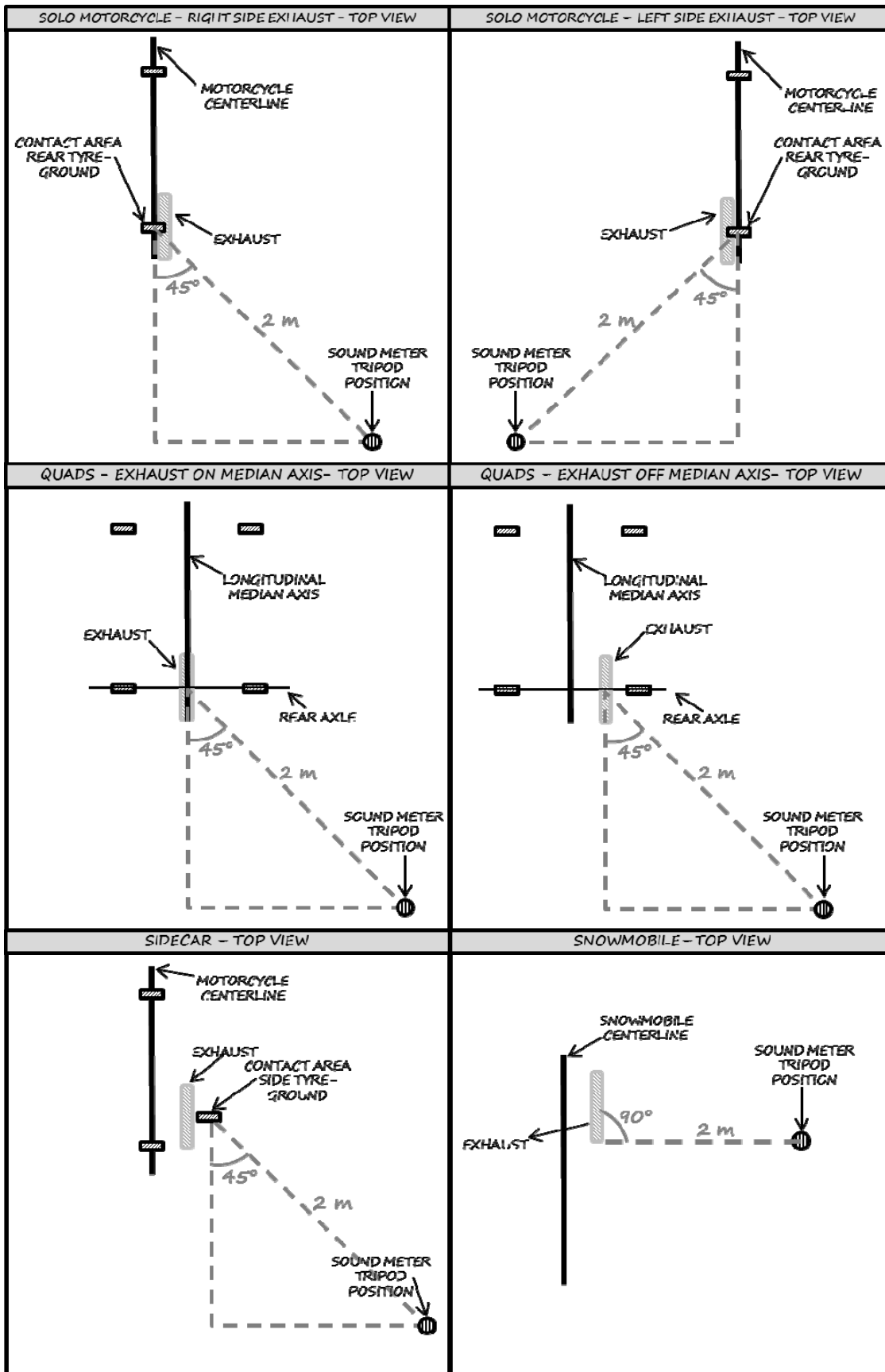
The sound levels will be measured with the microphone fixed on a tripod at a height of 1.35 m above the ground, in horizontal (levelled) position. It is helpful to have the microphone equipped with an extension cable to the sound meter.

For the place and position of the vehicle, ensure that there are no solid obstacles within 10 m around the microphone.

Depending on the vehicle, the sound meter will be positioned

- for Solo motorcycles (except for Snowmobiles): at an angle of 45° from the longitudinal axis of the vehicle, on the exhaust side, at a distance of 2 m behind the vehicle (measured from the point where the centre of rear tyre touches the ground).

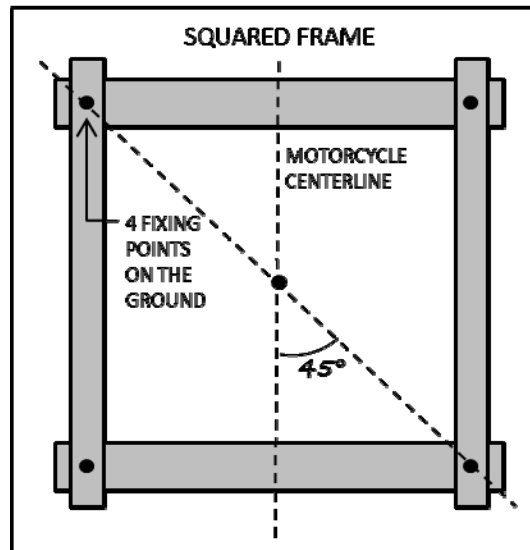
- for Solo motorcycles with 2 exhaust outputs: at an angle of 45° from the longitudinal axis of the vehicle, on the side of the air intake, at a distance of 2 m behind the vehicle (measured from the point where the centre of rear tyre touches the ground). Note: if a central positioned air intake is used, both sides will be tested.
- for Snowmobiles: at an angle of 90° from the longitudinal axis of the vehicle, on the side of the silencer, at a distance of 2 m next to the vehicle (measured from the silencer exit). For continuity of the measurement, use the handlebar as a reference to line up the machine with the microphone - the exhaust pipe is usually located on the right hand side of the machine and directly under the handlebar position. Note: the use of only one silencer is allowed for Snowmobiles.
- for Sidecars: at an angle of 45° from the longitudinal axis of the vehicle, on the sidecar side, at a distance of 2 m behind the vehicle (measured from the point where the sidecar tyre touches the ground). If the exit of the silencer is closer to the motorcycle rear wheel, the reference point will be the contact point of the motorcycle rear wheel on the ground (as for Solo motorcycles).
- for Quads: at an angle of 45° from the median longitudinal axis of the vehicle, at a distance of 2 m behind the vehicle (measured from the point where the line drawn perpendicular to the rear axle touches the ground).
- for Quads with the exhaust moved out of the median axis: at an angle of 45° from the exhaust axis, on the offset side, at a distance of 2 m behind the vehicle (measured from the point where the line drawn perpendicular to the rear axle touches the ground).



The sound level for engines with more than one silencer will be measured on each exhaust end.

Silencers fitted with adapters aiming to reduce the sound level shall be permanently fitted.

To make repetitive measurements, all motorcycles can be positioned into a small frame fixed on the ground, making sure to respect the 45° requirements. A squared frame helps the positioning of the motorcycle.



Vehicles which are not equipped with a gear box neutral must be placed on a stand.

It is preferred to make the tests on soft ground, not reverberating, i.e. grass or fine gravel.

In other than moderate wind, machines should face forward against the wind direction.

The ambient sound at the point of measurement must be minimum 15 dBA less than the lowest FIM sound limit applied in each discipline.

It is recommended to regularly re-calibrate the sound meter during the test day.

79.03 The test procedure

A technical steward (nominated as Sound Control Officer, "SCO", see 77.03) takes place next to the vehicle, opposite to the sound meter/microphone, in order not to screen or stand between the bike and the microphone.

The Sound Control Officer (SCO) must have arrived in sufficient time for discussions with the Clerk of the Course/FIM Race Director and other Technical Officials in order that a suitable test site and testing procedure can be agreed.

A second technical steward can be present to help. The rider can also be present.

It is strongly advised that the technical steward(s) use earplugs, a headset or ear protectors.

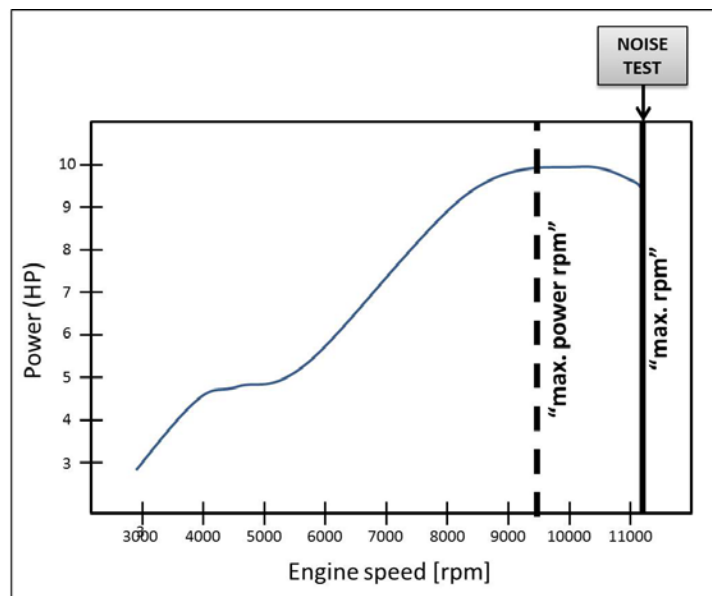
The measurement is made with motorcycle on its wheels, with a hot engine. During the sound test, only the rider may sit on the vehicle in the normal riding position.

A rider or a mechanic, placed on the left side of the motorcycle, shall disengage the clutch.

The SCO (and not others) shall open the throttle as fast as possible (instantly, within 0.3 s) until "full open throttle", in order to reach the maximum rpm value ("max. rpm").

- For Motocross, Enduro/SuperEnduro, Cross-country rallies/Bajas and Track Racing motorcycles with no FIM homologated silencers, the "max rpm" is the one defined by the ECU (for 4-stroke engines), or by a natural regulation (for 2-stroke engines).

When in doubt, it can be verified that such "max. rpm" value is higher than the rpm value at which the vehicle supplies its maximum power (kW) ("max. power rpm").



- For Trial, the "max rpm" is established at 10000 (± 200) rpm and obtained thanks to a dedicated "sound test" mapping of the internal ECU or an external one, purpose-made and connected in occasion of the test.
- For Track-Racing with FIM homologated silencers, when sound tests are needed, the "max rpm" is established at 11000 (± 500) rpm.

To conclude the test, the SCO releases the throttle quickly.

The maximum noise value (dB/A) registered during the measurement interval is then read on the sound meter and recorded. This noise value shall not be rounded down to the nearest whole number.

The noise value is then compared with the sound limits (see Art. 79.04).

The noise test can be "PASSED" or "NOT PASSED":

- "PASSED": The sound test is considered "passed" if the recorded noise value is below or equal to the sound limits of Art. 79.04. The silencer can then be marked by the SCO at the end of the test.

The silencer shall not be changed after verification, except for the spare silencer (see Art. 79.05) that has also been checked and marked.

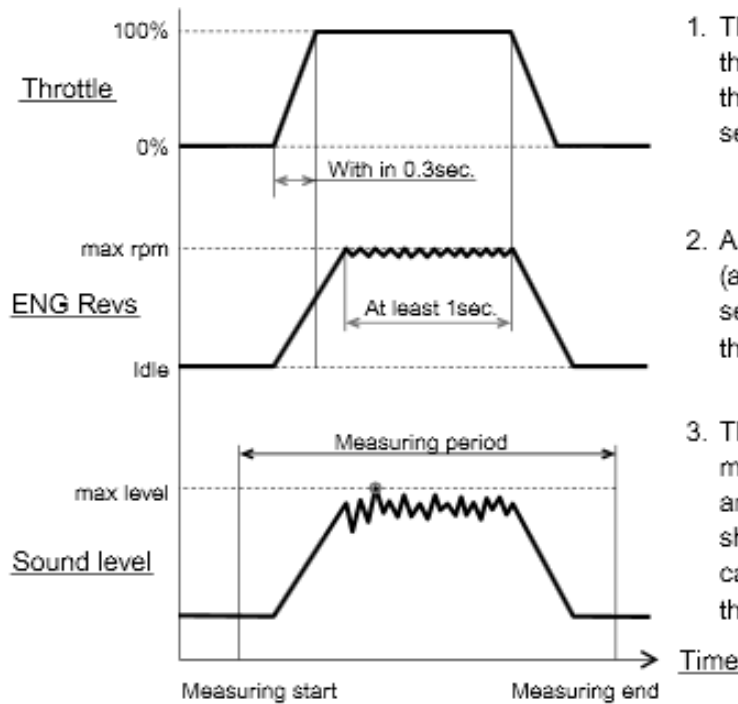
The end opening of the silencer shall remain unmodified once it has been checked and marked.

- "NOT PASSED": The sound test is considered "not passed" if the recorded noise value is above the sound limits of Art. 79.04.
In this case, the vehicle (with the same silencer) can be presented again, but for two more tests maximum.
If the third test result is negative, the rider
 - can present a different or repaired silencer (in case the sound test was done before the race)
 - will receive a penalty (in case the sound test was done during or after the race).

The sound meter is then reset by pushing on the sideline and armed by pushing on the sideline again.

Notes:

- If the engine starts to misfire, close the throttle slightly and re-open the throttle.
- If detonations appear, the measurement must be started again.
- For vehicles without an engine rev. limiter, the throttle will have to be opened not more than 2 s or until there is an audible sign of over-revving the engine.
- Even in case a vehicle has not exceeded the respective sound limit, if there is any doubt, the vehicle may be checked again.
- If the vehicle is unable to reach the "max. power rpm" value, the vehicle shall be refused. Any attempt by a participant to prevent his engine from reaching the "max. power rpm" will be considered a breach of the rules.
- In case the SCO doubts that the "max. power rpm" value (as declared by the manufacturers or previously obtained with the dyno test), he/she shall measure the engine speed with a tachometer connected to the spark.



1. The Inspector shall open the throttle until full open throttle within 0.3 seconds.
2. And keep at the max rpm (at rpm limiter) at least 1 second. Then, release the throttle quickly.
3. The sound level is measured in the all period and the maximum level shall be recorded in any case. (automatically by the sound meter).

79.04 Sound limits

MOTOCROSS World Championships, Cups and Prizes		
Discipline/Class	Maximum Sound limit (dB/A)	
	Before practice, during practice, before race	After race
MXGP, MX2	114.0	115.0
Sidecars:		
2-stroke	114.0	115.0
4-stroke	114.0	115.0
Junior MX:		
2-stroke (65/85)	111.0	112.0
2-stroke (125)	114.0	115.0
4-stroke	114.0	115.0
Supermoto	114.0	115.0
Snowcross	114.0	115.0
Quad:		
2-stroke	114.0	115.0
4-stroke	114.0	115.0

NOTES:

- The values that have to be respected after the race take into account the degradation of the silencer (i.e. the limit is raised of 1 dB/A).
- The values already take into account the accuracy of the method.
- No deductions for ambient temperature, pressure or altitude are allowed.

- The measured noise value shall not be rounded down to the nearest whole number.

79.05 Spare silencers

The rider or the mechanic can present at the sound control, together with the vehicle, one (1) spare silencer to be checked.

Other spare silencers may be presented after all participants have presented their vehicles, or on the following days of the event.

79.06

Action and decisions will depend on the Sporting Discipline concerned, and decisions taken during prior discussions with the FIM Technical Director and/or the Chief Technical Steward.

79.07

In a competition which requires a final examination of machines before the results are announced, this examination must include a sound control measurement of at least three machines chosen at the discretion of the Clerk of the Course/FIM Race Director in co-operation with the Chief Technical Steward. Refer to each discipline for more info.

79.08 "Max. power rpm" values

Max. power rpm values provided in advance by the vehicle manufacturers, for each specific production vehicle model, and/or measured with the dyno test and/or obtained by specialised magazines, are available upon request (cti@fim.ch).

01.82 SPECIFICATIONS FOR SNOWMOBILES

82.01 Introduction

Snowmobiles are vehicles driven on one or more caterpillar tracks steered by skis generally situated at the front or side of the vehicle either permanently or temporarily attached. There are several types of snowmobiles.

82.01.1 Snowmobiles equipped with 2 caterpillar tracks with one or two steering skis in front of the vehicle.

82.01.2 Snowmobiles equipped with one caterpillar track with one or two steering skis in front.

82.01.3 Snowmobiles equipped with one caterpillar track and skis.

For safety reasons, no windscreen of plastic or similar material shall be used.

82.02 General Specifications

82.02.1 The position of the engine is optional, except that it must be positioned in front of the rider.

82.02.2 The rider must be completely visible.

82.02.3 It is forbidden to add air foils or spoilers to the original hood or cowling.

82.02.4 The use of Titanium is strictly forbidden.

82.02.5 The rear tunnel opening must be enclosed with a comparable tunnel material.

82.02.6 Front headlights(s) must be removed or covered.

82.02.7 Machines must be equipped with red rear lamp, minimum power 20 W. Minimum dimensions of rear lamp: 40 mm x 50 mm.

82.02.8 It is forbidden to drive on the track without hood or cowling.

82.03 Starting devices

Snowmobiles must be equipped with an on-board mounted starting device.

The stand (support) used to lift the vehicle when on hold behind the start gate should be used for the sound control.

82.04 Open transmission guards

Snowmobiles must be equipped with belt guards. The guards must be separate from the cowl configuration.

82.05 Exhaust pipes

82.05.1 The number of exhaust (chamber) is limited to one (1).

82.05.2 Exhaust fumes must not discharge in a manner as to raise snow, foul the tracks or brakes, or inconvenience a passenger, if there is one, or any other riders. All possible measures must be taken to prevent the possible loss of waste oil so that it does not inconvenience a following rider.

82.06 Handlebars

The width of the handlebars must be no less than 500 mm and no more than 850 mm. No extensions are permitted. Ball ends on levers are not obligatory.

82.07 Control levers

Snowmobiles must be equipped with control levers. Art. 01.35 is applicable.

82.08 Throttle controls/ignition cut out switch

Snowmobiles must be equipped with throttle controls.

A snowmobile must also be equipped with an ignition cut out switch.

Art. 01.37 is applicable.

82.09 Footrests (See Art. 01.39)

If snowmobile footrests are equipped with loops, the footrest must have a stopper which would prevent the riders foot entering by more than 1/3 of its length.

82.10 Brakes

There must be at least one brake.

82.11 Snow Flaps

Snowmobiles must be equipped with snow flaps at the rear. They must be made of an adequate material. There must be at least 30 mm overlap on each side of the machine tunnel and a maximum of 100 mm ground clearance when the machine is unloaded. The use of springs and/or elastic material to hold down the snow flaps is forbidden (see Diagram M).

82.13 Driving tracks

These must be made of rubber or plastic. No modifications may be made to driving tracks. Anti-slip devices such as studs, spikes etc., cannot be fitted.

82.15 Steering skis

The steering ski shall be designed to push away obstacles sideways and vertically (see Diagram M).

The front edge shall be raised in a curve with a diameter of not less than 100 mm which shall continue as far as a vertical line running through the centre point of the circle created by the curve. Material to be used: minimum 12 mm outside diameter.

Any guide rail must be made of material with a circular section and a minimum diameter of 10 mm. If it is equipped with anti-skid rail, the minimum profile angle is 60° and the maximum length 260 mm (see Diagram M).

The edges of steering skis must be rounded with a profile of steel or another metal of at least 5 mm (see Diagram M).

82.17 Number plates

Number plates are compulsory. Art. 01.55 is applicable.

82.19 Fuel and Oil

Art. 01.63 is applicable. Anti-freeze liquid is permitted.

82.20 Equipment and protective clothing

Art. 01.65 is applicable.

82.21 Bibs

Art. 01.76 is applicable.

82.22 Control/Verification

Art. 01.77 is applicable.

82.23 Sound control

Art. 01.79 is applicable.

During a snowmobile sound test, a stand must be used to lift the rear of the machine and the track (belt) from the ground. Hood and cowling must remain installed.

01.83 SPECIFICATIONS FOR QUAD RACERS

83.01 Definition

Refer to Art. 01.07/ - Group G/Quad Racers, for definition.

83.02 Type of motorcycle

There is no restriction placed on the make, construction of type of motorcycle, other than specified below.

The cylinder capacity must be:

- min. 250 cc and
- max. 350 cc (2 cylinders max.) and 500 cc (1 cylinder).

The drive must be through the rear wheels only via a solid axle.

83.03 Wheels

Wheel rim diameter max.: 12 inches.

There is no restriction for the size of the front wheel. It is forbidden to use wheels with spokes.

Every front wheel must have a functional brake installed on axle and operated by a handlebar mounted lever.

On the rear, the vehicle must have a brake on each wheel or a brake fixed solidly on the rear transmission axle of the wheels, operated by a lever on the handlebar or by a foot-operated pedal.

Rear wheels must be protected by good mudguards of soft, synthetic materials.

83.04 Tyres

Art. 01.49 is applicable.

83.05 Overall width

The maximum overall width cannot exceed 1300 mm.

83.06 Protection

A crash bar must be placed behind the seat. The length and width of the crash bar must end above the rear section of the chain sprocket.

A crash 'bar' or 'guard' must be fixed at the front and the rear of the vehicle. This protective barrier must be fitted in such a way that it is in alignment with the outside flange of the wheels.

A protective barrier (or 'guard') of a round profile (minimum diameter: 25 mm) must be installed on each side of the vehicle. There shall be no prominent (sharp) parts.

A structure of crossed belts or a metallic grid must be fitted to fill the opening between the wheels and the barrier, to prevent the riders' foot from accidentally touching the ground.

83.07 Control levers and handlebars

Art. 01.33 and 01.35 are applicable.

83.08 Throttle controls

Art. 01.37 is applicable.

83.09 Sound

Art. 01.79 is applicable.

83.10 Number plates

Four number plates are required:

83.10.1 One plate fixed to the front of the machine at the level of the head lamp, facing forward

83.10.2 One plate attached to the rear bumper, facing backward.

83.10.3 One number plate fixed to the rear of the vehicle so that the number can be read on both sides (flag type).

83.10.4 The numbers must be placed centrally and as vertical as possible. See Art. 01.55 for dimensions.

83.10.5 The rider must display his starting number on his jersey or a bib.

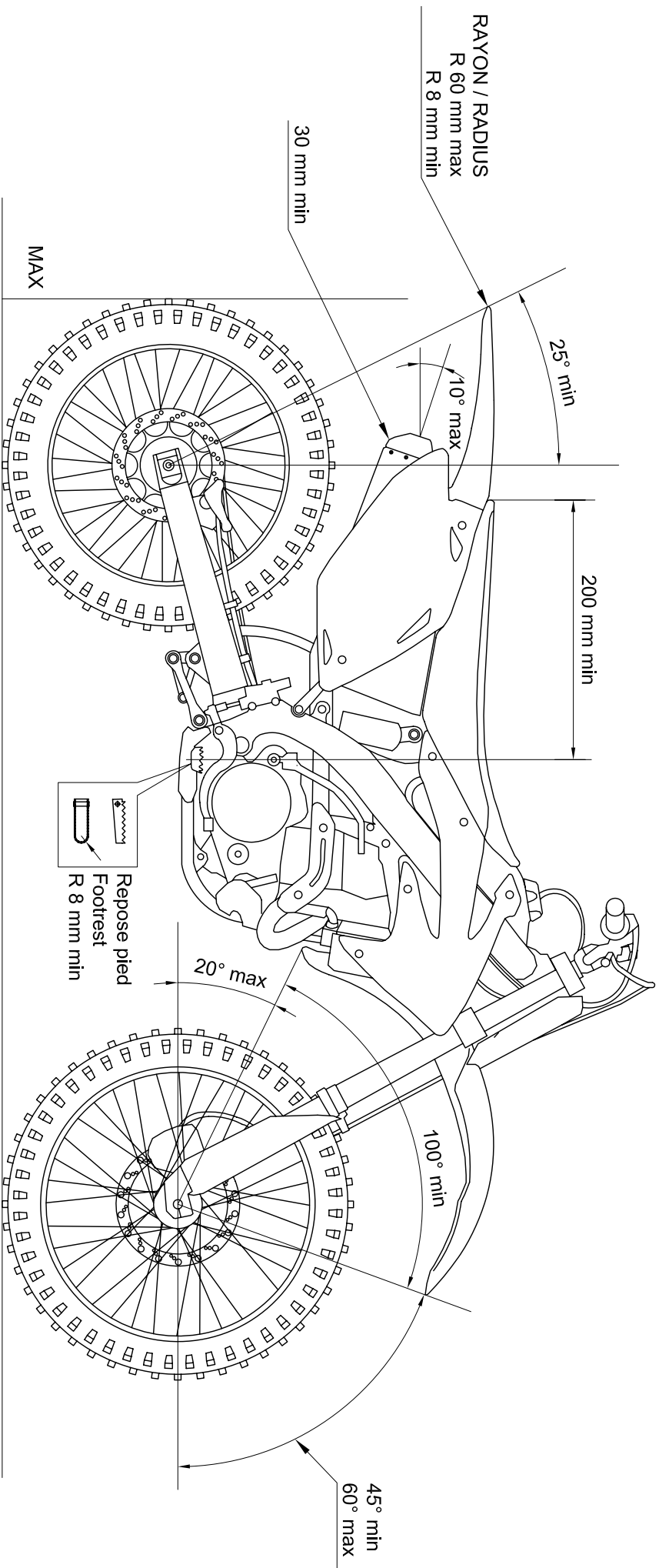
83.11 Helmets and clothing

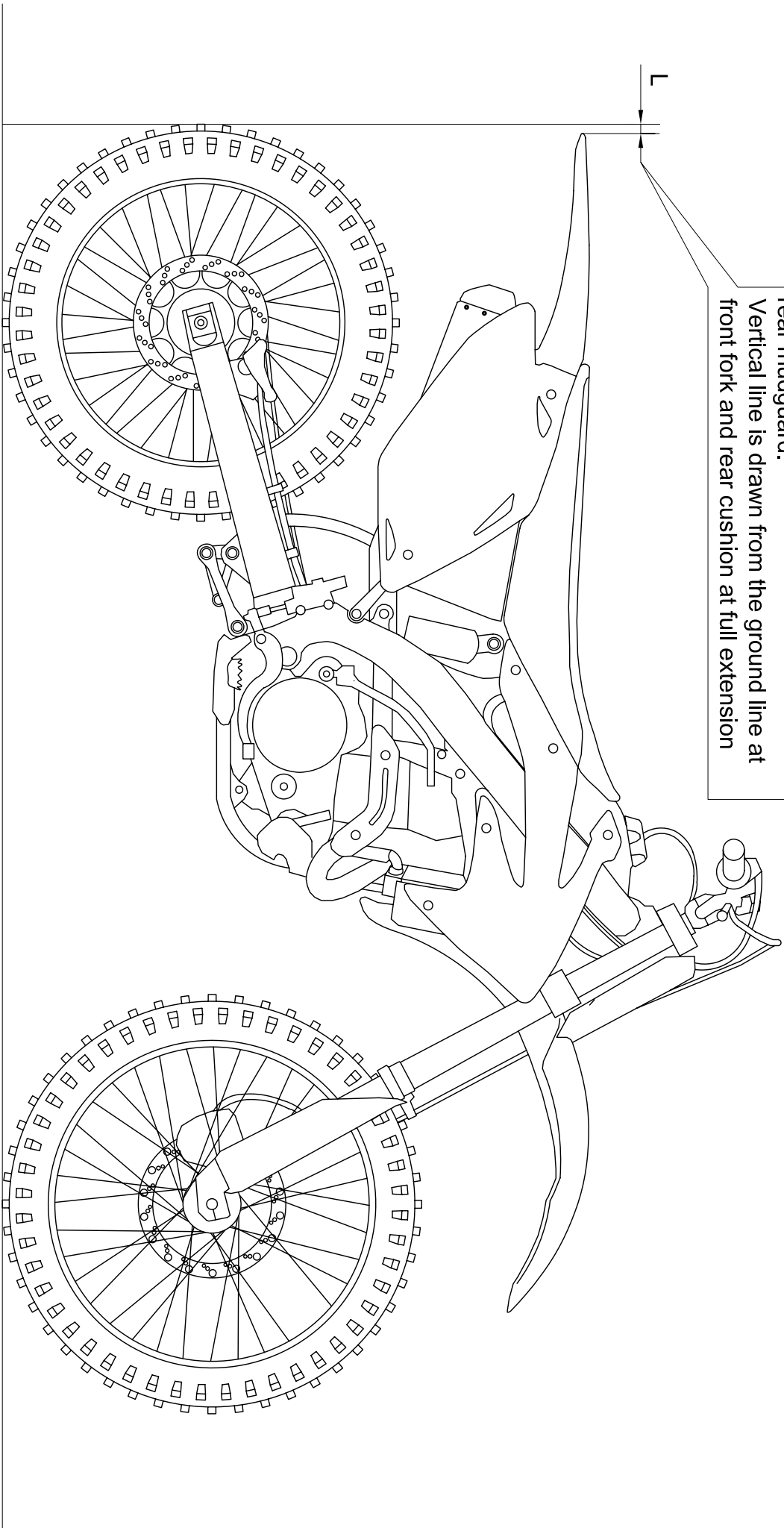
Art. 01.65 to 01.70 are applicable.

83.12 General

The vehicle must be in perfect technical condition and must satisfy the requirements of the Technical Steward.

Diagrams



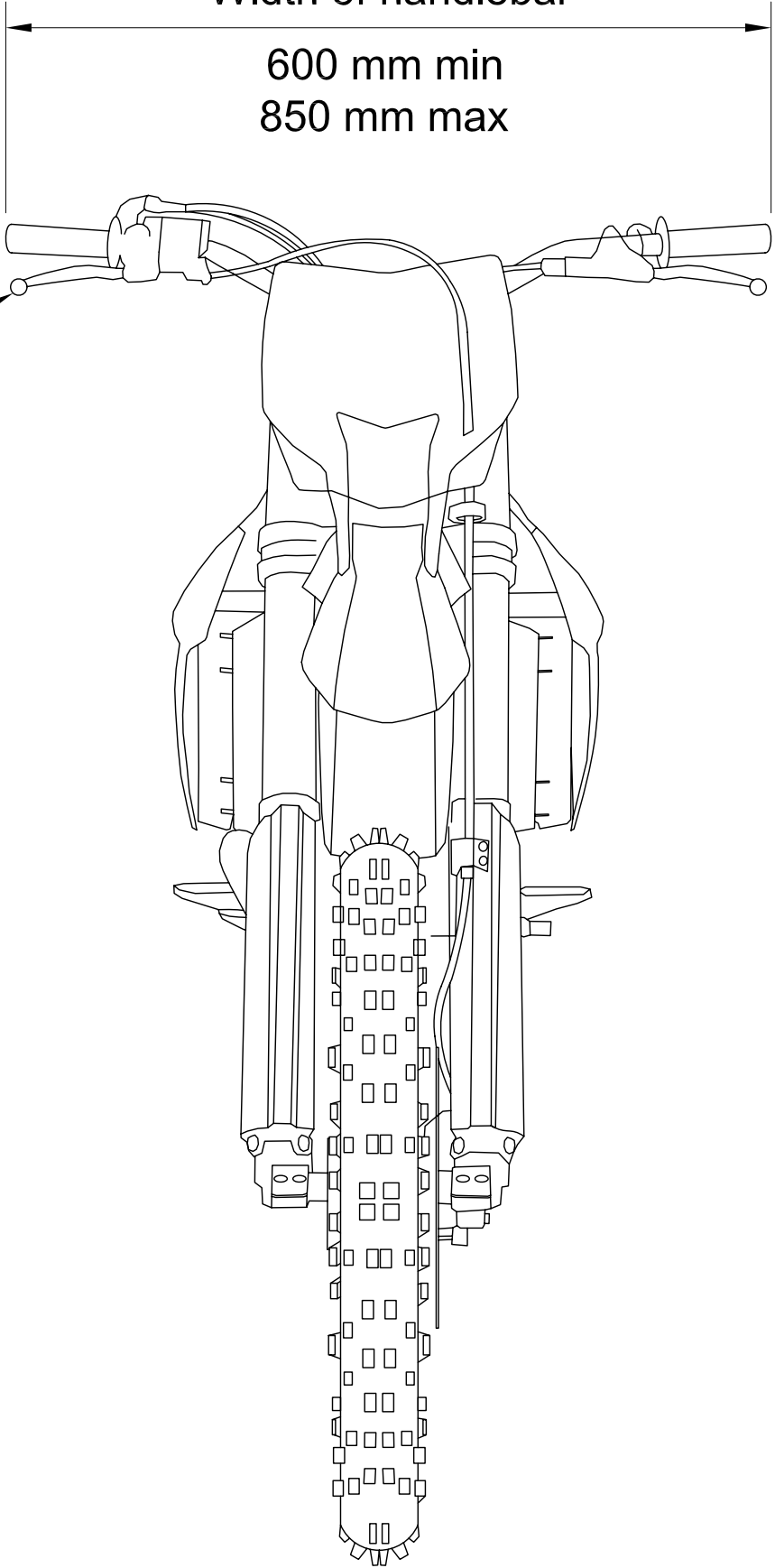


Define "L" from the vertical line drawn from the rear end of the rear tire to the rear end of the rear mudguard.
Vertical line is drawn from the ground line at front fork and rear cushion at full extension

Largeur du guidon /
Width of handlebar

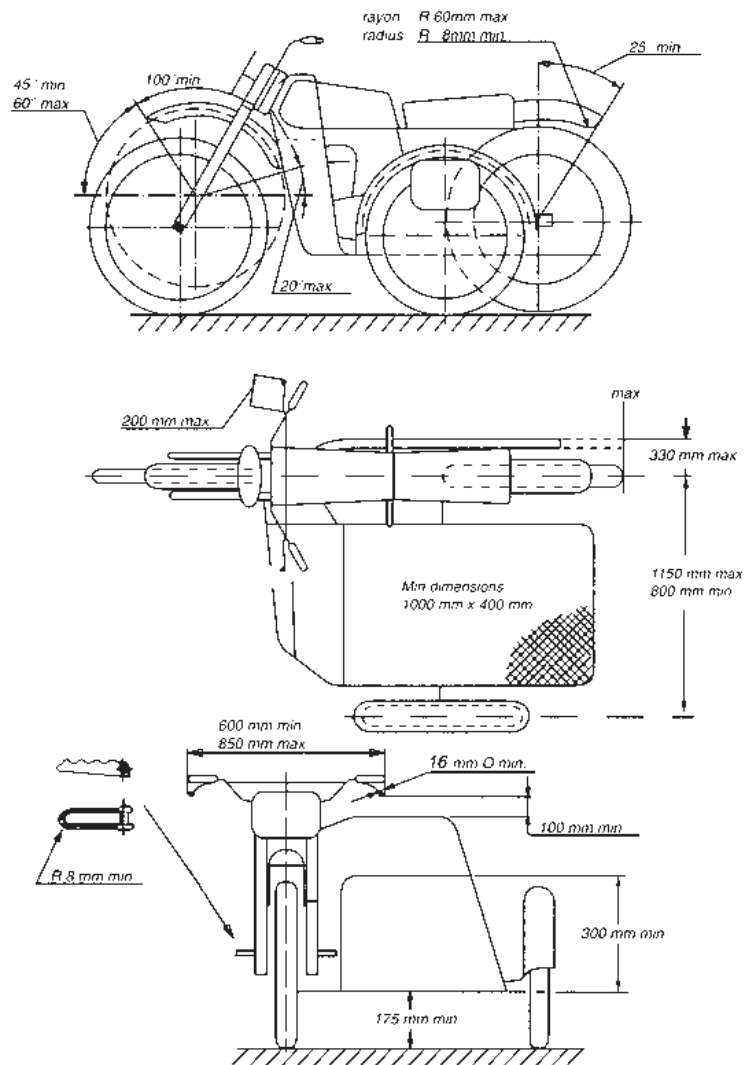
600 mm min
850 mm max

16 mm Ø min



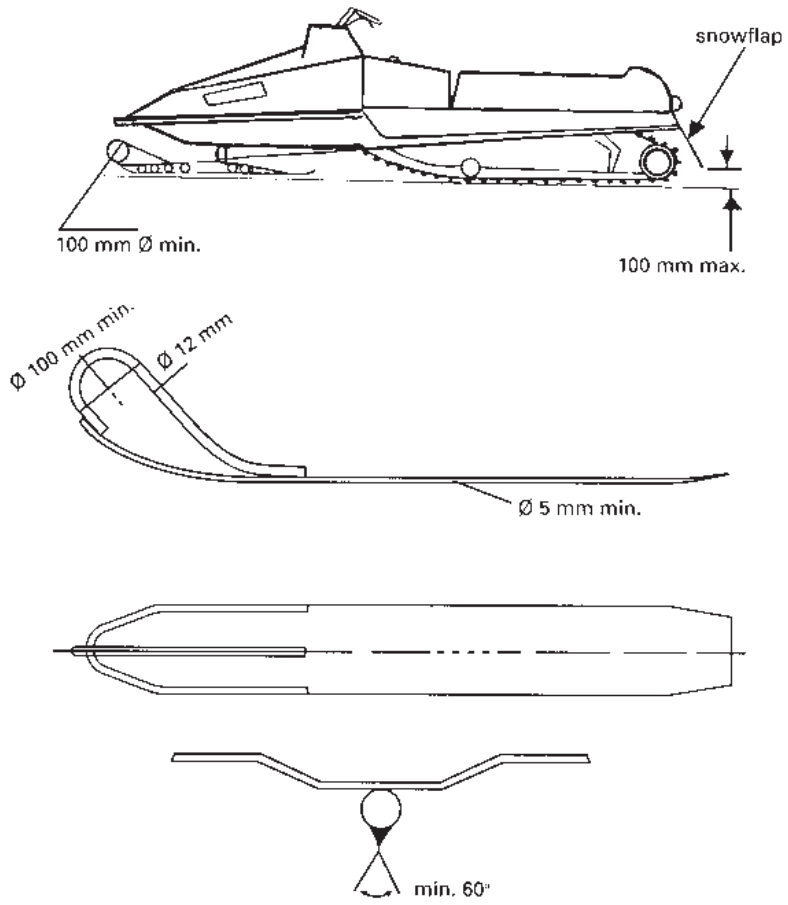
SIDECAR

F



**SNOWMOBILE
SCOOTER/NEIGE**

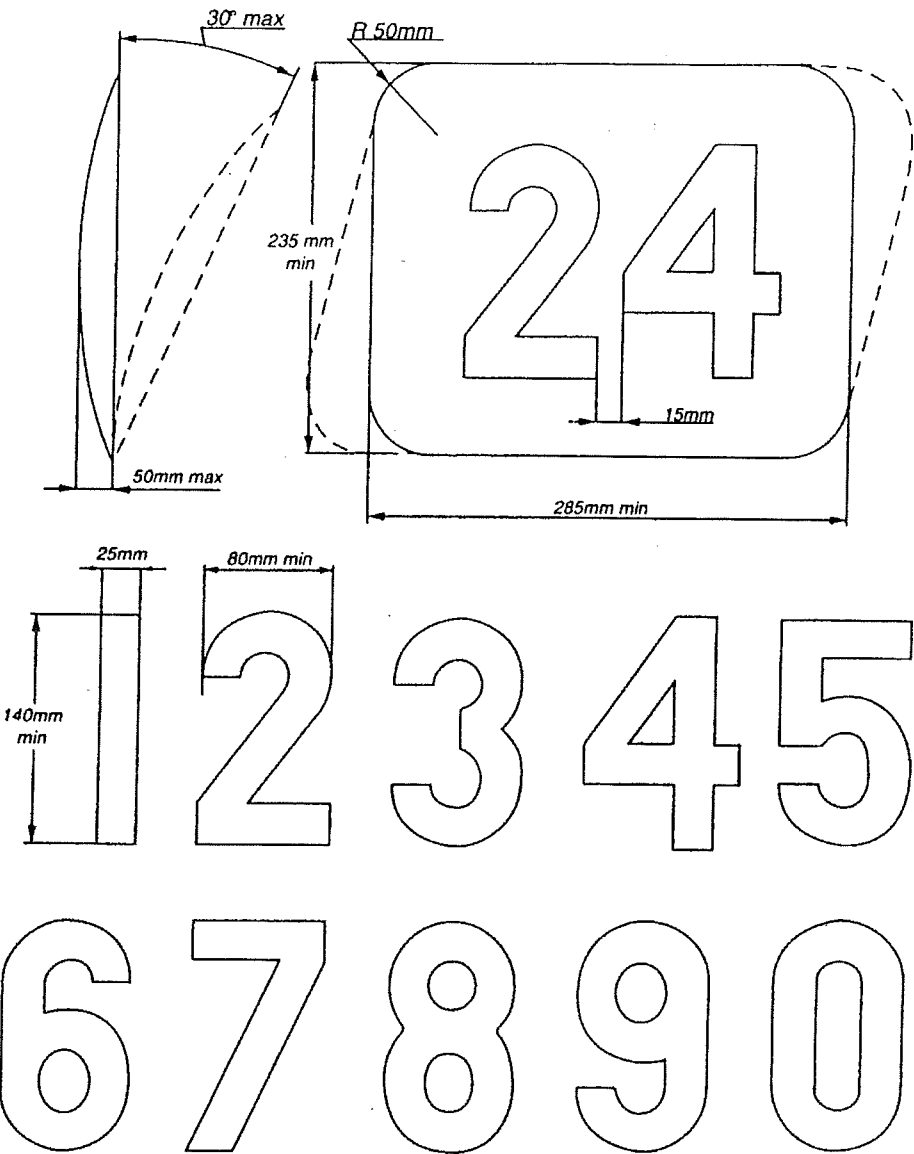
M



CMS

NUMBERS / NUMEROS

0



TEN FITTING TESTS FOR HELMETS **DIX TESTS D'ADAPTATION POUR LES CASQUES**

1. *Obtain correct size by measuring the crown of the head*
Avoir la bonne grandeur en mesurant le sommet de la tête
2. *Check there is no side to side movement*
Vérifier qu'il n'y ait pas de déplacement d'un côté à l'autre
3. *Tighten strap securely*
Serrer solidement la jugulaire
4. *With head forward, attempt to pull up back of helmet to ensure helmet cannot be removed this way*
Tête en avant, essayer de soulever le casque pour s'assurer qu'il ne peut pas être enlevé de cette façon



5. *Check ability to see clearly over shoulder*
Vérifier si vous pouvez voir clairement par-dessus l'épaule
6. *Make sure nothing impedes your breathing in the helmet and never cover your nose or mouth*
S'assurer que rien ne gêne votre respiration dans le casque et ne jamais couvrir le nez ou la bouche
7. *Never wind scarf around neck so that air is stopped from entering the helmet. Never wear scarf under the retention strap*
Ne jamais enrouler une écharpe autour du cou, car cela empêche l'air d'entrer dans le casque. Ne jamais porter d'écharpe sous la jugulaire
8. *Ensure that visor can be opened with one gloved hand*
S'assurer que la visière peut être ouverte avec une main gantée
9. *Satisfy yourself that the back of your helmet is designed to protect your neck*
S'assurer que l'arrière de votre casque a une forme telle qu'il vous protège la nuque
10. *Always buy the best you can afford*
Toujours acheter le meilleur que vous pouvez vous offrir



FÉDÉRATION INTERNATIONALE
DE MOTOCYCLISME

FIM-LIVE.com

11, ROUTE DE SUISSE | CH - 1295 MIES

cti@fim.ch

6579002